

Company Profile

About Us

TEXA Electric Lock division of Celexis International Ltd is a leading professional manufacturer of electric locks. We specialize in a wide range of access control solutions, including Magnetic Locks, Electric Bolt Locks, Electric Strikes, Electric Rim Locks, Magnetic Lock Brackets, Automatic Door Openers, Access Control Switches, and related accessories. TEXA operates as a fully integrated company encompassing independent design, research and development, precision manufacturing, global sales, and comprehensive after-sales service. Equipped with state-of-the-art automated production lines and advanced testing facilities, TEXA ensures every product meets the highest standards of quality and reliability. All our electric locks have successfully passed rigorous CE certification, along with relevant quality inspections and approvals from China's Ministry of Public Security, fully complying with international safety and performance standards. Our products are trusted and deployed in critical high-security environments worldwide, such as airports, metro systems, financial institutions, correctional facilities, smart buildings, intelligent residential communities, and other key infrastructure projects. TEXA delivers seamless, efficient, and intelligent access management solutions tailored to meet the evolving needs of global customers. What sets TEXA apart is our superior product stability, highly competitive pricing, and personalized customer support. Our electronic locks have been successfully exported to over 70 countries and regions, earning strong recognition and loyalty from clients both domestically and internationally. TEXA boasts a dedicated and experienced technical R&D team, enabling our electric locks—particularly our magnetic locks—to achieve or surpass international benchmarks in performance. Our magnetic locks feature exceptional holding force, making them a top choice in their category. As a preferred partner for access control system integrators and manufacturers worldwide, TEXA utilizes fully digital automated processing equipment to guarantee consistent precision across every unit. Each product undergoes stringent quality control, including detailed assembly checks and extended aging tests, ensuring flawless qualification before shipment. We proudly provide a 3-year free warranty on all TEXA products. At TEXA, we remain committed to innovation, consistently introducing high-quality, cutting-edge designs that deliver greater convenience and enhanced security. Our core philosophy focuses on producing easy-to-install, safe, and dependable electric lock solutions that add real value to every project and exceed customer expectations. We are dedicated to creating more intelligent, reliable, and user-friendly access control systems for a safer world.



Sales@texanetworks.com
+442039969310

71/75 Shelton Street, Convent Garden,
London, WC2H 9JQ, UK

TEXA

TABLE OF CONTENTS

1. Magnetic Lock Series	1
2. Electric Bolt Lock Series	11
3. Electric Strike Series	14
4. Electric Rim Lock Series	17
5. Door Closer Series	19
6. Power Supply Series	20
7. Smart Handle Lock Series	23
8. Door Opener Series	24
9. Escape Door Lock Series	27
10. Door Release Button Series	33
11. Smart Lock Series	42
12. RFID Card Reader	53
13. Access Control Series	61

CONTENTS

Magnetic Lock Series

The design of magnetic locks(Electromagnetic lock) is the same as the electromagnet. By using the principle of electromagnetic, when current passes through the silicon steel sheet, magnetic locks will produce powerful suction, thereby help to tightly absorb iron plate. Even small current will produce huge magnetic force, which can effectively control the door.

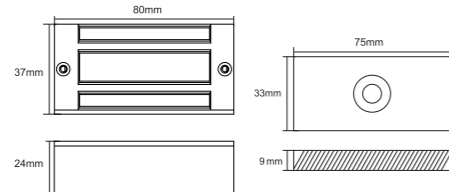
Now our locks have been sold to more than 60 countries and regions around the world, they are widely used in the important places such as airports, subways, banks, prisons, intelligent buildings, intelligent community and so on, and become convenient, fast and intelligent tool for global users, gain good reputation from the customers.

TX-60A/AS

Single Door Magnetic Lock



Dimension



Parameter

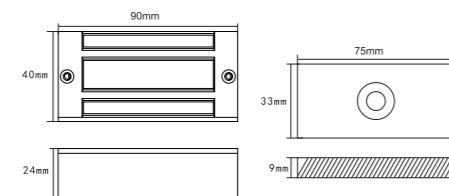
Model	TX-60A	TX-60AS
Lock size	80L*37W*24H(mm)	
Suction plate size	75L*33W*9H(mm)	
Holding force	60kg(120Lbs)	
Door signal	No	No
Lock signal	No	Yes
Input voltage	DC12V	
Working current	12V/120mA	
Weight	0.6KG	
Door type applicable	File Cabinet ,Display Cabinet	

TX-70AS

Single Door Magnetic Lock



Dimension



Parameter

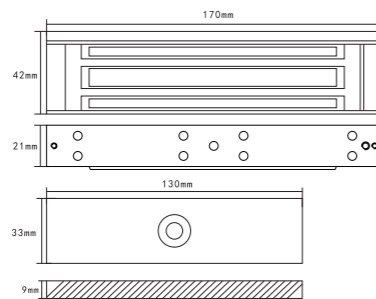
Model	TX-70AS
Lock size	90L*40W*24H(mm)
Suction plate size	75L*33W*9H(mm)
Holding force	70kg(140Lbs)
Door signal	No
Lock signal	Yes
Input voltage	DC12V
Working current	260mA
Weight	0.65KG
Door type applicable	File Cabinet ,Display Cabinet

TX-180A/AS

Single Door Magnetic Lock



Dimension



Parameter

Model	TX-180A	TX-180AS
Lock size	170L*42W*21H(mm)	
Suction plate size	130L*33W*9H(mm)	
Holding force	180kg(350Lbs)	
Door signal	No	No
Lock signal	No	Yes
Input voltage	DC12V or DC24V	
Working current	12V/300mA 24V/150mA	
Weight	1.2KG	
Door type applicable	Wooden/Metal/Glass/Fire door	

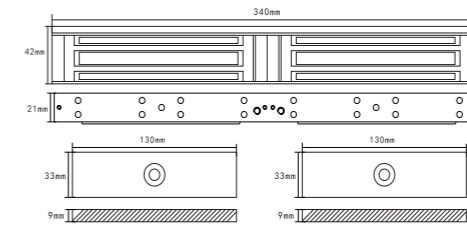
Magnetic Lock Series

TX-180B/BS

Double Door Magnetic Lock



Dimension



Parameter

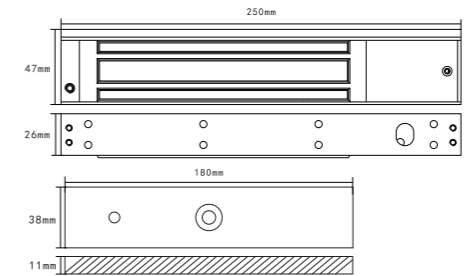
Model	TX-180B	TX-180BS
Lock size	340L*42W*21H(mm)	
Suction plate size	130L*33W*11H(mm)	
Holding force	180kg*2(350Lbs)*2	
Door signal	No	No
Lock signal	No	Yes
Input voltage	DC12V or DC24V	
Working current	12V/300mA*2 24V/150mA*2	
Weight	2.4KG	
Door type applicable	Wooden/Metal/Glass/Fire door	

TX-280A/AS

Single Door Magnetic Lock



Dimension



Parameter

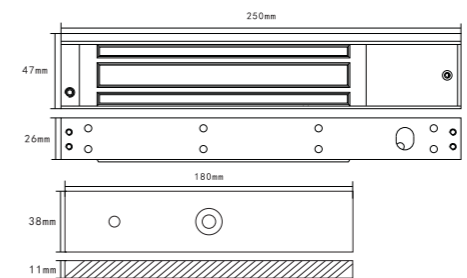
Model	TX-280A	TX-280AS
Lock size	250L*47W*26H(mm)	
Suction plate size	180L*38W*11H(mm)	
Holding force	280kg(600Lbs)	
Door signal	No	No
Lock signal	No	Yes
Input voltage	DC12V or DC24V	
Working current	12V/480mA 24V/240mA	
Weight	2KG	
Door type applicable	Wooden/Metal/Glass/Fire door	

TX-280ADS/AST

Single Door Magnetic Lock



Dimension



Parameter

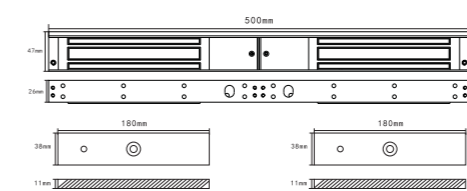
Model	TX-280ADS	TX-280AST
Lock size	250L*47W*26H(mm)	
Suction plate size	180L*38W*11H(mm)	
Holding force	280kg(600Lbs)	
Door signal	Yes	No
Lock signal	Yes	Yes
Time delay	No	Yes
Input voltage	DC12V or DC24V	
Working current	12V/480mA 24V/240mA	
Weight	2KG	
Door type applicable	Wooden/Metal/Glass/Fire door	

TX-280B/BS

Double Door Magnetic Lock



Dimension



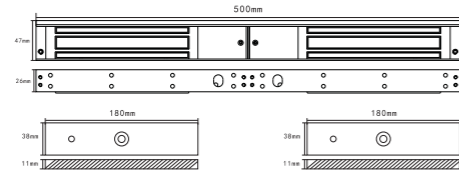
Parameter

Model	TX-280B	TX-280BS
Lock size	500L*47W*26H(mm)	
Suction plate size	180L*38W*11H(mm)	
Holding force	280kg*2(600Lbs)*2	
Door signal	No	No
Lock signal	No	Yes
Input voltage	DC12V or DC24V	
Working current	12V/480mA*2 24V/240mA*2	
Weight	4KG	
Door type applicable	Wooden/Metal/Glass/Fire door	

Magnetic Lock Series

TX-280BDS/BST Double Door Magnetic Lock

Dimension



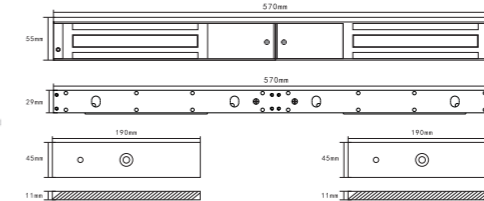
Parameter

Model	TX-280BDS	TX-280BST
Lock size	500L*47W*26H(mm)	
Suction plate size	180L*38W*11H(mm)	
Holding force	280kg*2(600Lbs)*2	
Door signal	Yes	No
Lock signal	Yes	Yes
Time delay	No	Yes
Input voltage	DC12V or DC24V	
Working current	12V/480mA*2 24V/2400mA*2	
Weight	4KG	
Door type applicable	Wooden/Metal/Glass/Fire door	

Magnetic Lock Series

TX-380BDS/BST Double Door Magnetic Lock

Dimension

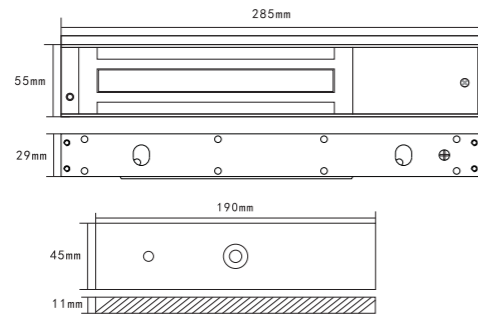


Parameter

Model	TX-380BDS	TX-380BST
Lock size	570L*55W*29H(mm)	
Suction plate size	190L*45W*11H(mm)	
Holding force	380kg*2(800Lbs)*2	
Door signal	Yes	No
Lock signal	Yes	Yes
Time delay	No	Yes
Input voltage	DC12V or DC24V	
Working current	12V/500mA*2 24V/250mA*2	
Weight	5KG	
Door type applicable	Wooden/Metal/Glass/Fire door	

TX-380A/AS Single Door Magnetic Lock

Dimension

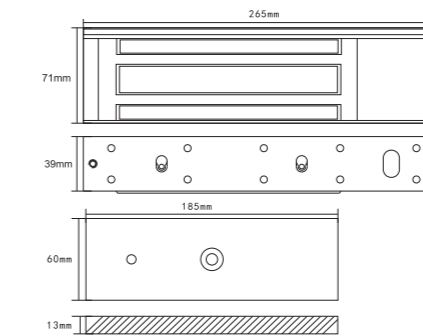


Parameter

Model	TX-380A	TX-380AS
Lock size	285L*55W*29H(mm)	
Suction plate size	190L*45W*11H(mm)	
Holding force	380kg(800Lbs)	
Door signal	No	No
Lock signal	No	Yes
Input voltage	DC12V or DC24V	
Working current	12V/500mA 24V/250mA	
Weight	2.5KG	
Door type applicable	Wooden/Metal/Glass/Fire door	

TX-500A/AS Single Door Magnetic Lock

Dimension

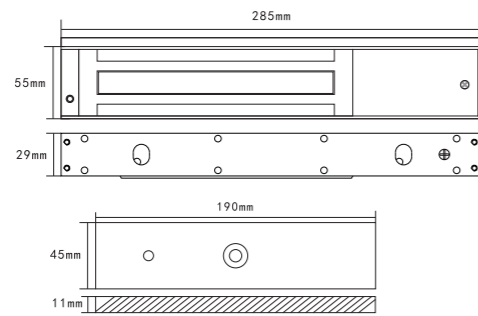


Parameter

Model	TX-500A	TX-500AS
Lock size	265L*71W*39H(mm)	
Suction plate size	185L*60W*13H(mm)	
Holding force	500kg(1200Lbs)	
Door signal	No	No
Lock signal	No	Yes
Input voltage	DC12V or DC24V	
Working current	12V/600mA 24V/300mA	
Weight	4.5KG	
Door type applicable	Wooden/Metal/Glass/Fire door	

TX-380ADS/AST Single Door Magnetic Lock

Dimension

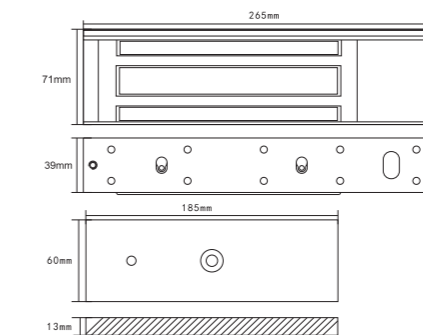


Parameter

Model	TX-380ADS	TX-380AST
Lock size	285L*55W*29H(mm)	
Suction plate size	190L*45W*11H(mm)	
Holding force	380kg(800Lbs)	
Door signal	Yes	No
Lock signal	Yes	Yes
Time delay	No	Yes
Input voltage	DC12V or DC24V	
Working current	12V/500mA 24V/250mA	
Weight	2.5KG	
Door type applicable	Wooden/Metal/Glass/Fire door	

TX-500ADS/AST Single Door Magnetic Lock

Dimension

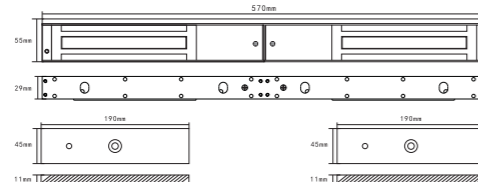


Parameter

Model	TX-500ADS	TX-500AST
Lock size	265L*71W*39H(mm)	
Suction plate size	185L*60W*13H(mm)	
Holding force	500kg(1200Lbs)	
Door signal	Yes	No
Lock signal	Yes	Yes
Time delay	No	Yes
Input voltage	DC12V or DC24V	
Working current	12V/600mA 24V/300mA	
Weight	4.5KG	
Door type applicable	Wooden/Metal/Glass/Fire door	

TX-380B/BS Double Door Magnetic Lock

Dimension

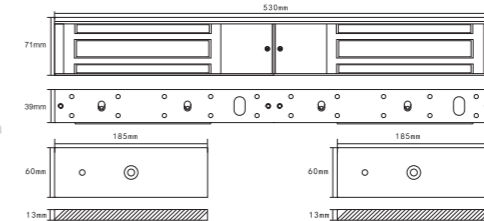


Parameter

Model	TX-380B	TX-380BS
Lock size	570L*55W*29H(mm)	
Suction plate size	190L*45W*11H(mm)	
Holding force	380kg*2(800Lbs)*2	
Door signal	No	No
Lock signal	No	Yes
Input voltage	DC12V or DC24V	
Working current	12V/500mA*2 24V/250mA*2	
Weight	5KG	
Door type applicable	Wooden/Metal/Glass/Fire door	

TX-500B/BS Double Door Magnetic Lock

Dimension



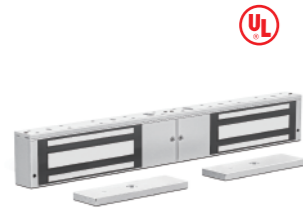
Parameter

Model	TX-500B	TX-500BS
Lock size	530L*71W*39H(mm)	
Suction plate size	185L*60W*13H(mm)	
Holding force	500kg*2(1200Lbs)*2	
Door signal	No	No
Lock signal	No	Yes
Input voltage	DC12V or DC24V	
Working current	12V/600mA*2 24V/300mA*2	
Weight	9KG	
Door type applicable	Wooden/Metal/Glass/Fire door	

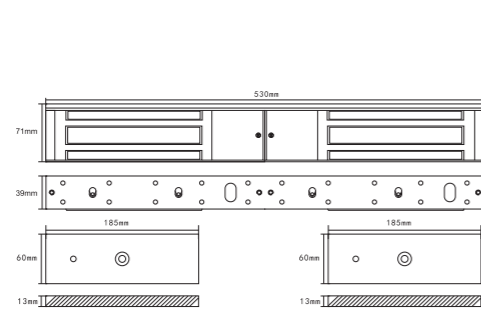
Magnetic Lock Series

TX-500BDS/BST

Double Door Magnetic Lock



Dimension



Parameter

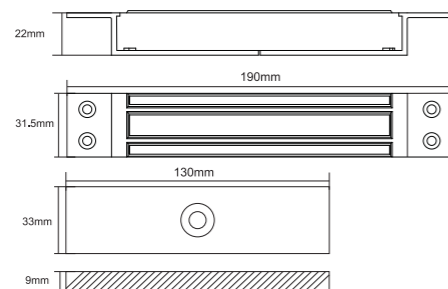
Model	TX-500BDS	TX-500BST
Lock size	530L*71W*39H(mm)	
Suction plate size	185L*60W*13H(mm)	
Holding force	500kg*2(1200Lbs)*2	
Door signal	Yes	No
Lock signal	Yes	Yes
Time delay	No	Yes
Input voltage	DC12V or DC24V	
Working current	12V/600mA*2 24V/300mA*2	
Weight	9KG	
Door type applicable	Wooden/Metal/Glass/Fire door	

TX-180EA/ES

Single Door Magnetic Lock With Mortise Mount



Dimension

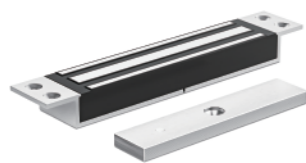


Parameter

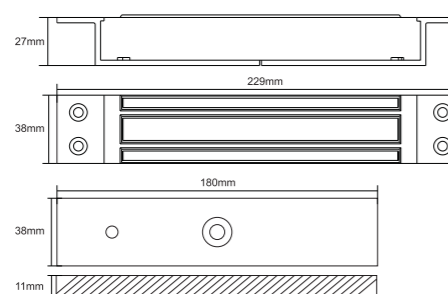
Model	TX-180EA	TX-180ES
Lock size	190L*31.5W*22H(mm)	
Suction plate size	130L*33W*9H(mm)	
Holding force	180kg(350Lbs)	
Door signal	No	No
Lock signal	No	Yes
Input voltage	DC12V or DC24V	
Working current	12V/300mA 24V/150mA	
Weight	1.2KG	
Door type applicable	Wooden/Metal/Glass/Fire door	

TX-280EA/ES

Single Door Magnetic Lock With Mortise Mount



Dimension

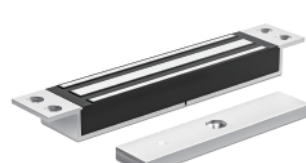


Parameter

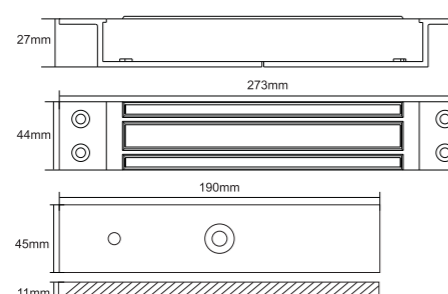
Model	TX-280EA	TX-280ES
Lock size	229L*38W*27H(mm)	
Suction plate size	180L*38W*11H(mm)	
Holding force	280kg(600Lbs)	
Door signal	No	No
Lock signal	No	Yes
Input voltage	DC12V or DC24V	
Working current	12V/480mA 24V/240mA	
Weight	2KG	
Door type applicable	Wooden/Metal/Glass/Fire door	

TX-380EA/ES

Single Door Magnetic Lock With Mortise Mount



Dimension



Parameter

Model	TX-380EA	TX-380ES
Lock size	273L*44W*27H(mm)	
Suction plate size	190L*45W*11H(mm)	
Holding force	380kg(800Lbs)	
Door signal	No	No
Lock signal	No	Yes
Input voltage	DC12V or DC24V	
Working current	12V/500mA 24V/250mA	
Weight	2.5KG	
Door type applicable	Wooden/Metal/Glass/Fire door	

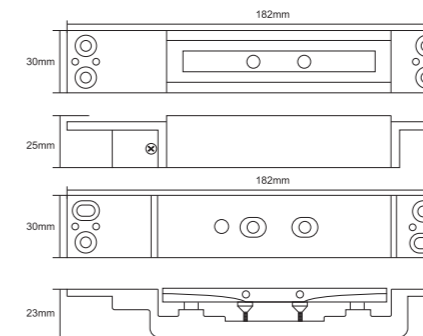
Magnetic Lock Series

TX-1200A

Shear lock



Dimension



Parameter

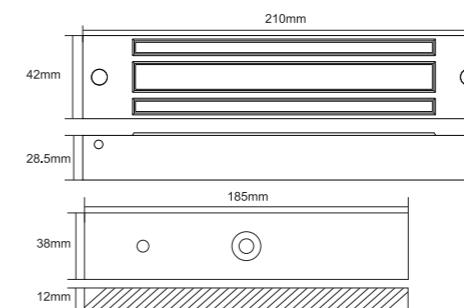
Model	TX-1200A
Lock size	182L*30W*25H(mm)
Suction plate size	182L*30W*23H(mm)
Holding force	1200kg(2400Lbs)
Door signal	No
Lock signal	Yes
Input voltage	DC12V/DC24V
Working current	220mA/12VDC, 190mA/24VDC
Weight	1KG
Door type applicable	Wooden/Metal/Fire door

TX-280ASW

Single Door Magnetic Lock (Waterproof)



Dimension



Parameter

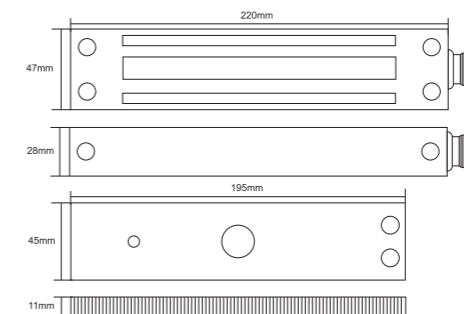
Model	TX-280ASW
Lock size	210L*42W*28.5H(mm)
Suction plate size	185L*38W*12H(mm)
Holding force	280kg(600Lbs)
Door signal	No
Lock signal	Yes
Input voltage	DC12V or DC24V
Working current	12V/460mA 24V/230mA
Weight	2.3KG
Door type applicable	Wooden/Metal/Fire door

TX-280ASP

Single Door Magnetic Lock (Waterproof)



Dimension



Parameter

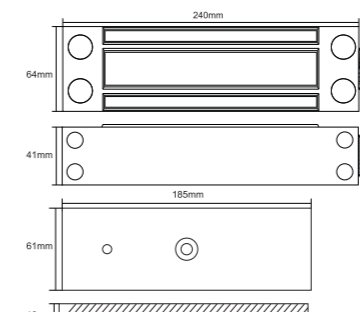
Model	TX-280ASP
Lock size	220L*47W*28H(mm)
Suction plate size	200L*45W*13H(mm)
Holding force	280kg(600Lbs)
Door signal	No
Lock signal	Yes
Input voltage	DC12V or DC24V
Working current	12V/500mA 24V/250mA
Weight	2.7KG
Door type applicable	Wooden/Metal/Fire door

TX-500ASW

Single Door Magnetic Lock (Waterproof)



Dimension



Parameter

Model	TX-500ASW
Lock size	240L*64W*41H(mm)
Suction plate size	185L*61W*16H(mm)
Holding force	500kg(1200Lbs)
Door signal	No
Lock signal	Yes
Input voltage	DC12V or DC24V
Working current	12V/500mA 24V/250mA
Weight	5KG
Door type applicable	Wooden/Metal/Fire door

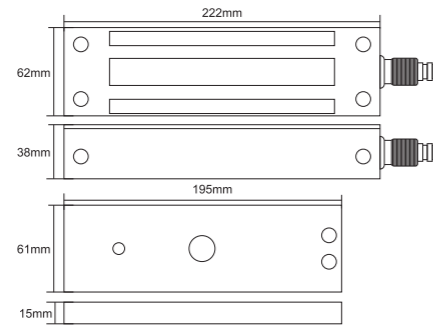
Magnetic Lock Bracket

TX-500ASP

Single Door Magnetic Lock
(Waterproof)



Dimension



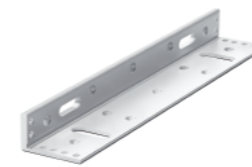
Parameter

Model	TX-500ASP
Lock size	222L*62W*38H(mm)
Suction plate size	195L*61W*15H(mm)
Holding force	500kg(1200Lbs)
Door signal	No
Lock signal	Yes
Input voltage	DC12V or DC24V
Working current	12V/500mA 24V/250mA
Weight	4.5KG
Door type applicable	Wooden/Metal/Fire door

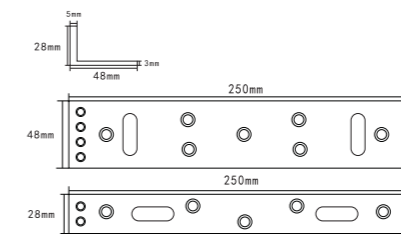
Magnetic Lock Bracket

TX-280L

Magnetic lock L bracket



Dimension



Parameter

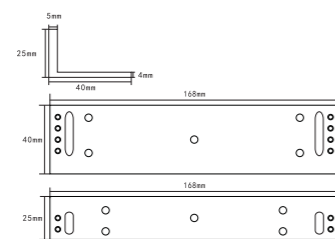
Model	TX-280L
Material	High-strength aluminum alloy, Sandblasted surface
Opening mode	90 Degree door
Applicable electric lock	TX-280
Weight	0.27KG
Door type applicable	Wooden/Glass/Metal/Fire door

TX-180L

Magnetic lock L bracket



Dimension



Parameter

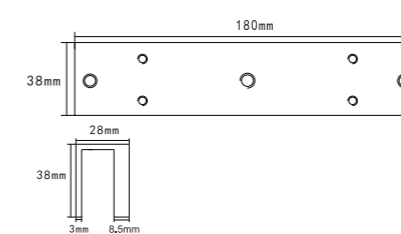
Model	TX-180L
Material	High-strength aluminum alloy, Sandblasted surface
Opening mode	90 Degree door
Applicable electric lock	TX-180
Weight	0.14KG
Door type applicable	Wooden/Glass/Metal/Fire door

TX-280U

Magnetic lock U bracket



Dimension



Parameter

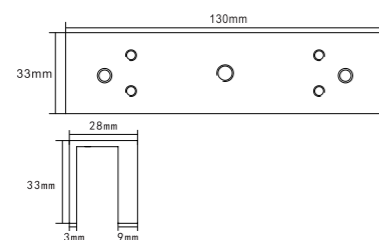
Model	TX-280U
Material	High-strength aluminum alloy, Sandblasted surface
Opening mode	90 Degree door
Applicable electric lock	TX-280
Weight	0.32KG
Door type applicable	Frameless glass door

TX-180U

Magnetic lock U bracket



Dimension



Parameter

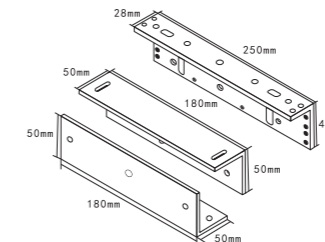
Model	TX-180U
Material	High-strength aluminum alloy, Sandblasted surface
Opening mode	90 Degree door
Applicable electric lock	TX-180
Weight	0.25KG
Door type applicable	Frameless glass door

TX-280ZL

Magnetic lock ZL bracket



Dimension



Parameter

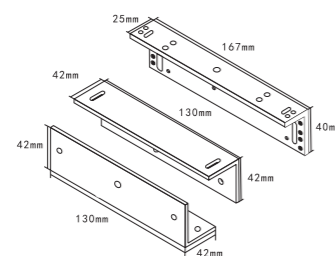
Model	TX-280ZL
Material	High-strength aluminum alloy, Sandblasted surface
Opening mode	90 Degree door
Applicable electric lock	TX-280
Weight	0.75KG
Door type applicable	Wooden/Glass/Metal/Fire door

TX-180ZL

Magnetic lock ZL bracket



Dimension



Parameter

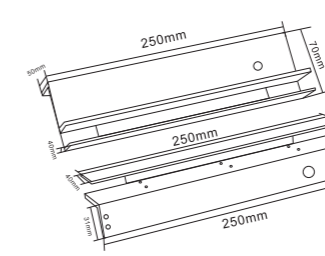
Model	TX-180ZL
Material	High-strength aluminum alloy, Sandblasted surface
Opening mode	90 Degree door
Applicable electric lock	TX-180
Weight	0.5KG
Door type applicable	Wooden/Glass/Metal/Fire door

TX-280F

Magnetic lock F bracket



Dimension

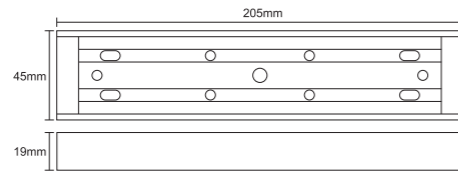


Parameter

Model	TX-280F
Material	High-strength aluminum alloy, Sandblasted surface
Opening mode	90 Degree door
Applicable electric lock	TX-280
Weight	0.85KG
Door type applicable	Fully frameless glass door

TX-280I
Magnetic lock I bracket

Dimension

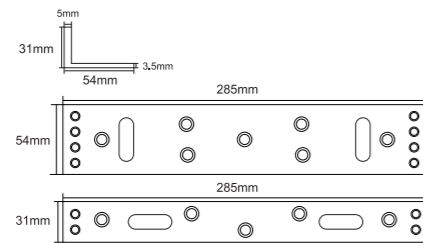


Parameter

Model	TX-280I
Material	High-strength aluminum alloy, Sandblasted surface
Opening mode	90 Degree door
Applicable electric lock	TX-280
Weight	0.3KG
Door type applicable	Wooden/Glass/Metal/Fire door

TX-380L
Magnetic lock L bracket

Dimension

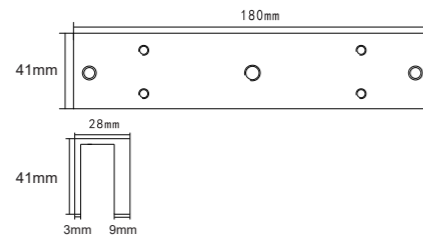


Parameter

Model	TX-380L
Material	High-strength aluminum alloy, Sandblasted surface
Opening mode	90 Degree door
Applicable electric lock	TX-380
Weight	0.33KG
Door type applicable	Wooden/Glass/Metal/Fire door

TX-380U
Magnetic lock U bracket

Dimension

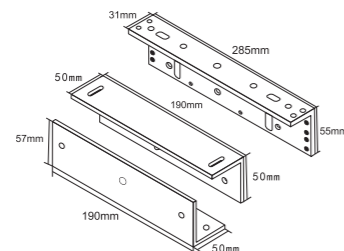


Parameter

Model	TX-380U
Material	High-strength aluminum alloy, Sandblasted surface
Opening mode	90 Degree door
Applicable electric lock	TX-380
Weight	0.47KG
Door type applicable	Frameless glass door

TX-380ZL
Magnetic lock ZL bracket

Dimension

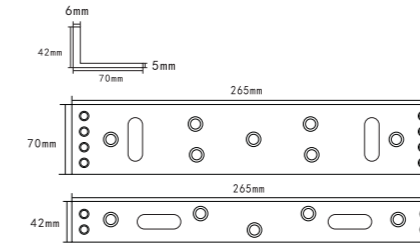


Parameter

Model	TX-380ZL
Material	High-strength aluminum alloy, Sandblasted surface
Opening mode	90 Degree door
Applicable electric lock	TX-380
Weight	0.82KG
Door type applicable	Wooden/Glass/Metal/Fire door

TX-500L
Magnetic lock L bracket

Dimension

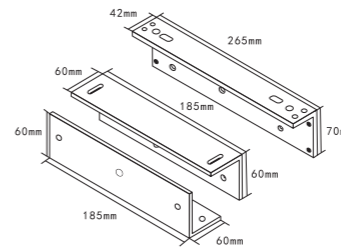


Parameter

Model	TX-500L
Material	High-strength aluminum alloy, Sandblasted surface
Opening mode	90 Degree door
Applicable electric lock	TX-500
Weight	0.58KG
Door type applicable	Wooden/Glass/Metal/Fire door

TX-500ZL
Magnetic lock ZL bracket

Dimension

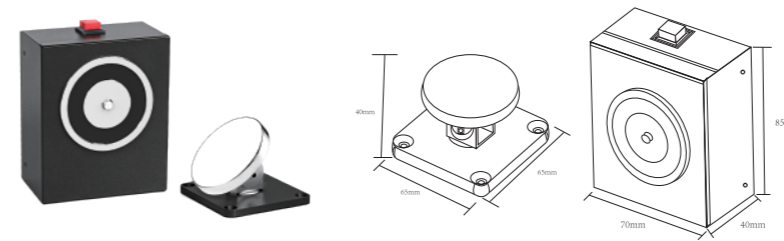


Parameter

Model	TX-500ZL
Material	High-strength aluminum alloy, Sandblasted surface
Opening mode	90 Degree door
Applicable electric lock	TX-500
Weight	1.3KG
Door type applicable	Wooden/Glass/Metal/Fire door

TX-52
Floor mount door holder

Dimension

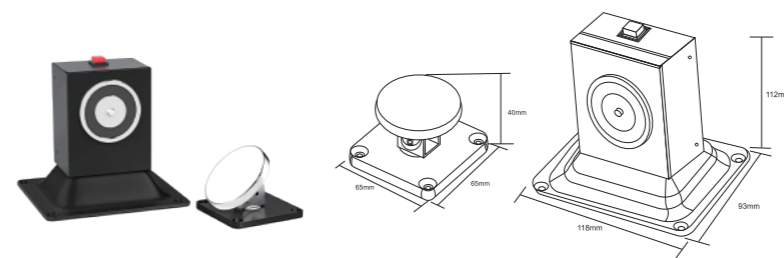


Parameter

Model	TX-52
Lock size	70L*40W*85H(mm)
Suction plate size	65L*65W*40H(mm)
Holding force	50kg(110Lbs)
Lock signal	No
Optional	Manual door release button
Input voltage	DC24V(DC12V need order)
Working current	24V/90mA(12V/180mA)
Weight	0.9KG
Door type applicable	Wooden/Glass/Metal/Fire door

TX-53
Floor&wall mount door holder

Dimension



Parameter

Model	TX-53
Lock size	112L*93W*118H(mm)
Suction plate size	65L*65W*40H(mm)
Holding force	50kg(110Lbs)
Lock signal	No
Optional	Manual door release button
Input voltage	DC24V(DC12V need order)
Working current	24V/90mA(12V/180mA)
Weight	1.4KG
Door type applicable	Wooden/Glass/Metal/Fire door

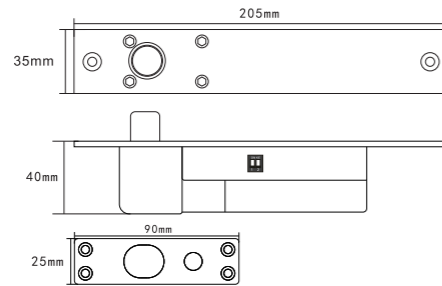
Electric Bolt lock is kind of electric control locks, it works by means of extending or retracting the lock bolt with electric current. We use the microprocessor chip to control electric circuit, so it decreases the power consumption and really has the ultralow temperature function. After 500000 times of test, we can assure our locks are more stable, more environmentally friendly and durable. Electric Bolt lock is designed mainly for glass door, wooden door and metal door, it is suitable for bidirectional door and sliding door, becomes the best choice of access control automation management.

TX-801/801T

Electric Bolt Lock(Low temperature)



Dimension



Parameter

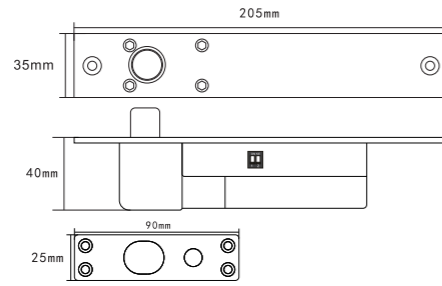
Model	TX-801	TX-801T
Product type	Standard Electric Bolt lock	
Lock size	205L*35W*40H(mm)	
Strike	90L*25W*2H(mm)	
Time delay	No	Yes
Signal output	No	No
Input voltage	DC12V±10%	
Working current	110mA	
Weight	0.72KG	
Door type applicable	Wooden/Metal/Glass/Fire door	

TX-802S/802ST

Electric Bolt Lock(Low temperature)



Dimension



Parameter

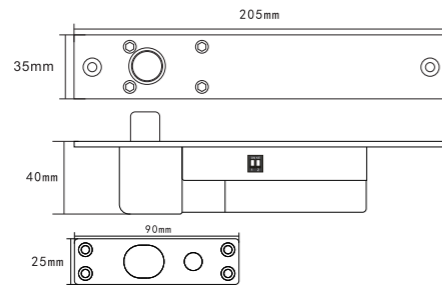
Model	TX-802S	TX-802ST
Product type	Electric Bolt lock with the signal output	
Lock size	205L*35W*40H(mm)	
Strike	90L*25W*2H(mm)	
Time delay	No	Yes
Signal output	Yes	Yes
Input voltage	DC12V±10%	
Working current	110mA	
Weight	0.72KG	
Door type applicable	Wooden/Metal/Glass/Fire door	

TX-803ST/805ST

Electric Bolt Lock(Intelligent /Automatic door)



Dimension



Parameter

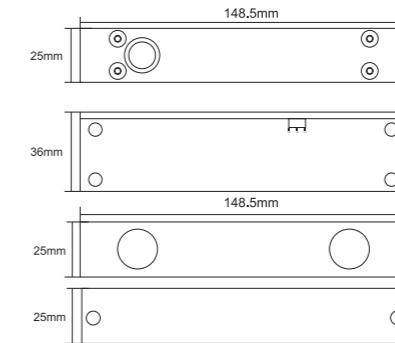
Model	TX-803ST	TX-805ST
Product type	Intelligent Electric Bolt lock	Automatic door Electric Bolt lock
Lock size	205L*35W*40H(mm)	
Strike	90L*25W*2H(mm)	
Time delay	Yes	Yes
Signal output	Yes	Yes
Input voltage	DC12V±10%	
Working current	110mA	
Weight	0.72KG	
Door type applicable	Wooden/Metal/Glass/Fire door	

TX-806ST

Narrow panel Electric Bolt Lock(Short panel)



Dimension



Parameter

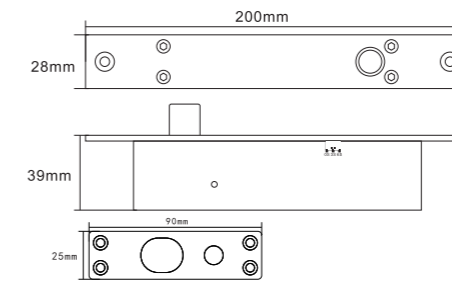
Model	TX-806ST
Product type	Narrow panel Electric Bolt lock
Lock size	148.5L*25W*36H(mm)
Strike	148.5L*25W*25H(mm)
Time delay	Yes
Signal output	Yes
Input voltage	DC12V±10%
Working current	80mA
Weight	0.86KG
Door type applicable	Wooden/Glass/Metal/Fire door

TX-807ST

Narrow panel Electric Bolt Lock(Long panel)



Dimension



Parameter

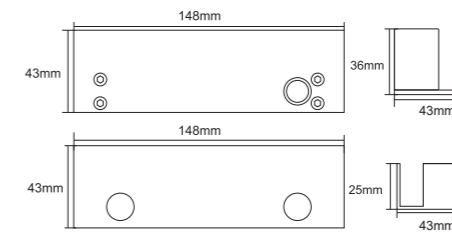
Model	TX-807ST
Product type	Narrow panel Electric Bolt lock
Lock size	200L*28W*39H(mm)
Strike	90L*25W*2H(mm)
Time delay	Yes
Signal output	Yes
Input voltage	DC12V±10%
Working current	80mA
Weight	0.86KG
Door type applicable	Wooden/Glass/Metal/Fire door

TX-808ST

Electric Bolt Lock (Fully Frameless Glass door)



Dimension



Parameter

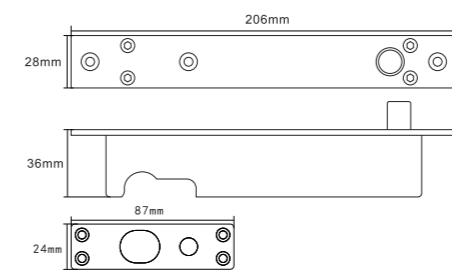
Model	TX-808ST
Product type	Fully frameless glass door Electric Bolt lock
Lock size	148L*43W*36H(mm)
Strike	148L*43W*25H(mm)
Time delay	Yes
Signal output	Yes
Input voltage	DC12V±10%
Working current	80mA
Weight	0.86KG
Door type applicable	Fully Frameless Glass Door

TX-809ST

Electric Bolt Lock(With Keys)



Dimension



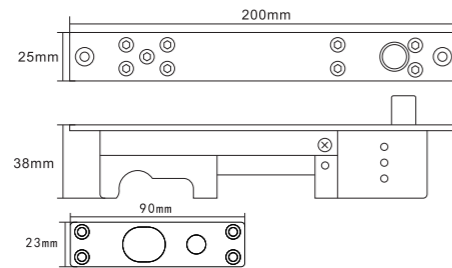
Parameter

Model	TX-809ST
Product type	Electric Bolt lock with keys
Lock size	206L*28W*36H(mm)
Strike	87L*24W*1.5H(mm)
Time delay	Yes
Signal output	Yes
Input voltage	DC12V±10%
Working current	140mA
Weight	1.25KG
Door type applicable	Wooden/Glass/Metal/Fire door

TX-810ST
Electric Bolt Lock(With Keys)



Dimension



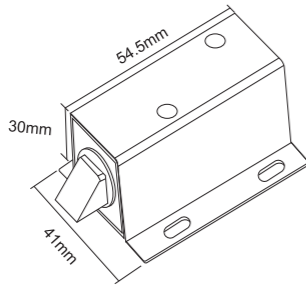
Parameter

Model	TX-810ST
Product type	Electric Bolt lock with keys
Lock size	200L*25W*34H(mm)
Strike	90L*23W*2.5H(mm)
Time delay	Yes
Signal output	Yes
Input voltage	DC12V±10%
Working current	80mA
Weight	0.9KG
Door type applicable	Wooden/Glass/Metal/Fire door

TX-820
Electric Cabinet Lock



Dimension



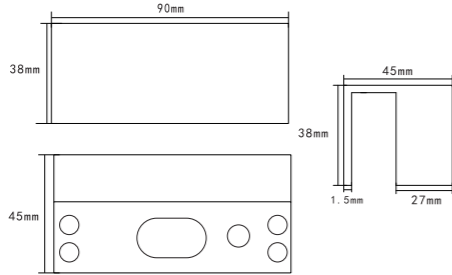
Parameter

Model	TX-820
Product type	Electric Cabinet Lock
Lock size	54.5L*41W*30H(mm)
Pin length	10L*10W*10H(mm)
Working current	60mA
Signal output	No
Input voltage	DC12V±10%
Temperature	-40°C~+50°C
Weight	0.18KG
Door type applicable	File cabinet

TX-800L
Electric Bolt Lock Bracket
(Glass Door)



Dimension



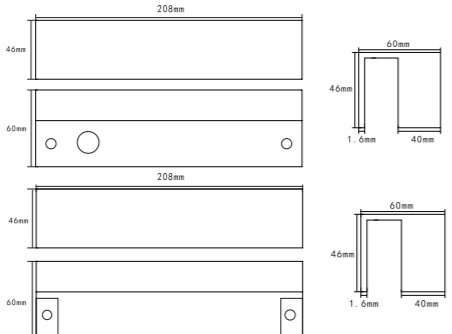
Parameter

Model	TX-800L
Product type	Special bracket for bottom frameless glass door
Lock size	90L*45W*38H(mm)
Material science	Stainless steel
Glass thickness	10-15mm
Opening mode	90 or 180 Degree swing door
Weight	0.3KG
Applicable of lock	VI-801/802/803/805/807/810

TX-800U
Electric Bolt Lock Bracket(Fully
Frameless Glass Door)



Dimension

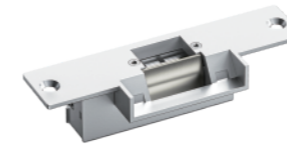


Parameter

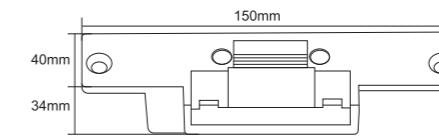
Model	TX-800U
Product type	Special bracket for upper and lower frameless glass door
Lock size	208L*60W*46H(mm)
Material science	Stainless steel
Glass thickness	10-15mm
Opening mode	90 or 180 Degree swing door
Weight	1.6KG
Applicable of lock	VI-801/802/803/805/807/810

The electric strike has the similar working principle as the electric bolt lock, it must work with the mechanical lock, so the range of application is small. And it is often used for ordinary wooden door, with the notch of strike sucking the bolt of door, it can lock or open the door. By embedded installing, our products looks excellent. The electromagnetic part is made of high quality magnetic material and adopted specially technology processing, thereby there is no residual magnetism after long time working, then can prove the normal use of the strikes. Moreover, our strikes can support the door with 90 degree opened. At last, with hardness stainless steel material, our strike can bear 500kg impact pressure.

TX-700/700S
Standard Electric Strike



Dimension



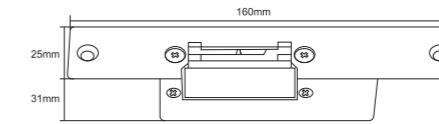
Parameter

Model	TX-700	TX-700S
Lock size	150L*40W*34H(mm)	
Holding strength	500KG	
Lock structure	Stainless Steel	
Input voltage	DC12V±10%	
Working current	200mA	
Signal output	No	Yes
Security type	Lock when power off(Standard) Unlock when power off(Customizable)	
Weight	0.3KG	
Door type applicable	Wooden/Metal/PVC door	

TX-701/701S
Short Panel Electric Strike



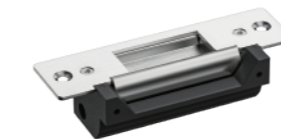
Dimension



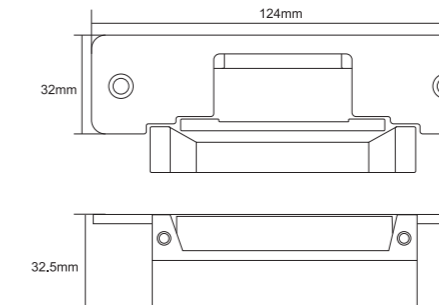
Parameter

Model	TX-701	TX-701S
Lock size	160L*25W*31H(mm)	
Holding strength	500KG	
Lock structure	Stainless Steel	
Input voltage	DC12V±10%	
Working current	200mA	
Signal output	No	Yes
Security type	Lock when power off(Standard) Unlock when power off(Customizable)	
Weight	0.4KG	
Door type applicable	Wooden/Metal/PVC door	

TX-702/702S
American Standard Electric
Strike(Short panel)



Dimension



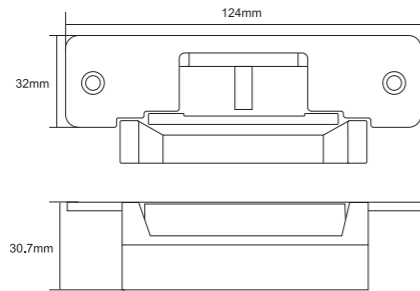
Parameter

Model	TX-702	TX-702S
Lock size	124L*32W*32.5H(mm)	
Holding strength	800KG	
Lock structure	Surface by coating nickel	
Input voltage	DC12V±10%	
Working current	320mA	
Signal output	No	Yes
Security type	Lock when power off(Standard) Unlock when power off(Adjustable)	
Weight	0.35KG	
Door type applicable	Wooden/Metal/Glass/Fire door	

TX-702SD
American Standard Electric Strike(Short panel)



Dimension



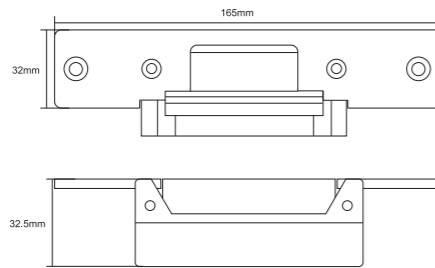
Parameter

Model	TX-702SD
Lock size	124L*32W*30.7H(mm)
Holding strength	800KG
Lock structure	Stainless Steel
Input voltage	DC12V(default)DC12V/DC24V(customized)
Working current	150mA
Signal output	Yes
Security type	Lock when power off(Standard) Unlock when power off(Adjustable)
Weight	0.4KG
Door type applicable	Wooden/Metal/PVC door

TX-703/703S
American Standard Electric Strike(Long panel)



Dimension



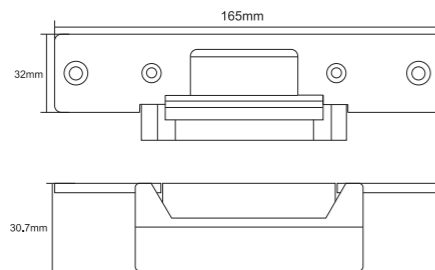
Parameter

Model	TX-703	TX-703S
Lock size	165L*32W*32.5H(mm)	
Holding strength	800KG	
Lock structure	Surface by coating nickel	
Input voltage	DC12V±10%	
Working current	250mA	
Signal output	No	Yes
Security type	Lock when power off(Standard) Unlock when power off(Adjustable)	
Weight	0.4KG	
Door type applicable	Wooden/Metal/Glass/Fire door	

TX-703SD
American Standard Electric Strike(Long panel)



Dimension



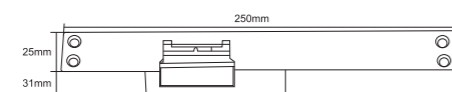
Parameter

Model	TX-703SD
Lock size	165L*32W*30.7H(mm)
Holding strength	800KG
Lock structure	Stainless steel
Input voltage	DC12V/DC24V
Working current	150mA/300mA
Signal output	Yes
Security type	Lock when power off(Standard) Unlock when power off(Adjustable)
Weight	0.4KG
Door type applicable	Wooden/Metal/Glass/Fire door

TX-704
Long Panel Electric Strike



Dimension



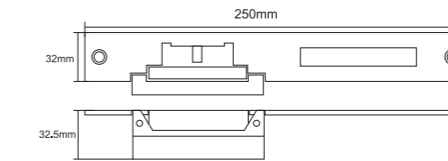
Parameter

Model	TX-704
Lock size	250L*25W*31H(mm)
Holding strength	800KG
Lock structure	Surface by coating nickel
Input voltage	DC12V±10%
Working current	200mA
Signal output	Yes
Security type	Lock when power off(Standard) Unlock when power off(Customizable)
Weight	0.4KG
Door type applicable	Wooden/Metal/Glass/Fire door

TX-705/705S
Long Type European Electric Strike



Dimension



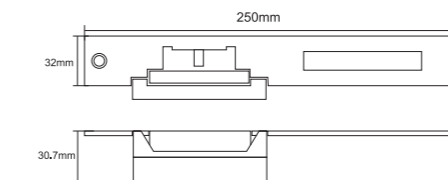
Parameter

Model	TX-705	TX-705S
Lock size	250L*32W*32.5H(mm)	
Holding strength	800KG	
Lock structure	Surface by coating nickel	
Input voltage	DC12V±10%	
Working current	250mA	
Signal output	No	Yes
Security type	Lock when power off(Standard) Unlock when power off(Adjustable)	
Weight	0.42KG	
Door type applicable	Wooden/Metal/PVC door	

TX-705SD
Long Type European Electric Strike



Dimension



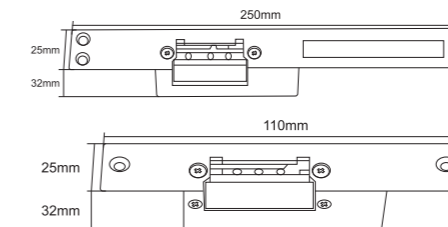
Parameter

Model	TX-705SD
Lock size	250L*32W*30.7H(mm)
Holding strength	800KG
Lock structure	Stainless steel
Input voltage	DC12V/DC24V
Working current	150mA/300mA
Signal output	Yes
Security type	Lock when power off(Standard) Unlock when power off(Adjustable)
Weight	0.42KG
Door type applicable	Wooden/Metal/PVC door

TX-706/707
European Narrow-type and Adjustable Electric Strike



Dimension



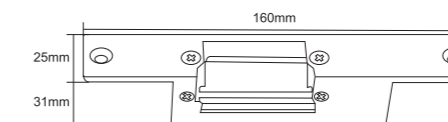
Parameter

Model	TX-706	TX-707
Lock size	250L*25W*32H(mm)	110L*25W*32H(mm)
Holding strength	500KG	
Lock structure	Surface by coating nickel	
Input voltage	DC12V±10%	
Working current	200mA	
Signal output	No	
Security type	Lock when power off(Standard)/ Adjust NO model (open when power on/off)	
Weight	0.42KG/0.3KG	
Door type applicable	Wooden/Metal/PVC door	

TX-708
Glass Electric Strike



Dimension



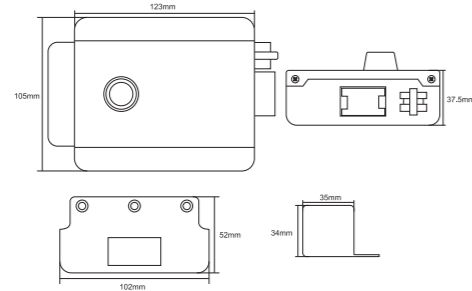
Parameter

Model	TX-708
Lock size	160L*25W*31H(mm)
Holding strength	500KG
Lock structure	Surface by coating nickel
Input voltage	DC12V±10%
Working current	200mA
Signal output	No
Security type	Lock when power off(Standard)
Weight	0.4KG
Door type applicable	Glass door

TX-600A
Electric Rim Lock(Single)



Dimension



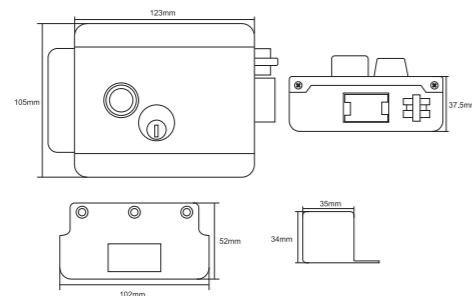
Parameter

Model	TX-600A
Lock size	123L*105W*37.5H(mm)
Cylinder	Single
Input voltage	DC12±10%
Start current	950mA
Working current	150mA
Tongue length	12mm
Weight	1.2KG
Door type applicable	Wooden/Metal/Glass/Fire door

TX-600B
Electric Rim Lock(Double)



Dimension



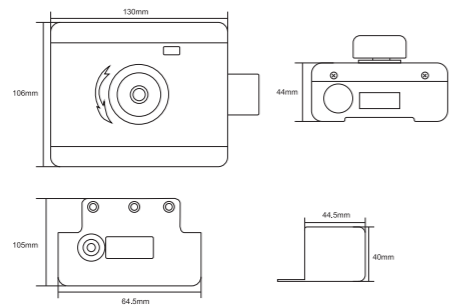
Parameter

Model	TX-600B
Lock size	123L*105W*37.5H(mm)
Cylinder	Double
Input voltage	DC12±10%
Start current	950mA
Working current	150mA
Tongue length	12mm
Weight	1.27KG
Door type applicable	Wooden/Metal/Glass/Fire door

TX-601A
Electric Motor Lock(Single)



Dimension



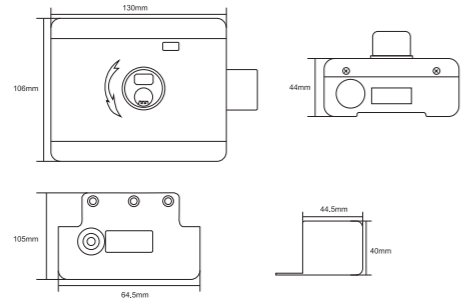
Parameter

Model	TX-601A
Lock size	130L*106W*44H(mm)
Cylinder	Single
Input voltage	DC12±10%
Start current	950mA
Working current	100mA
Tongue length	22mm
Weight	1.6KG
Door type applicable	Wooden/Metal/Glass/Fire door

TX-601B
Electric Motor Lock(Double)



Dimension



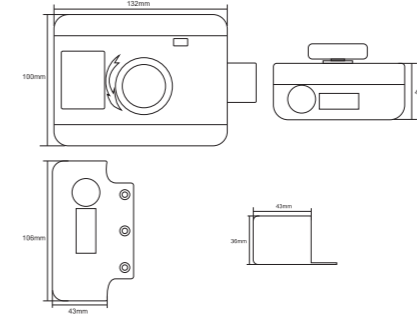
Parameter

Model	TX-601B
Lock size	130L*106W*44H(mm)
Cylinder	Double
Input voltage	DC12±10%
Start current	950mA
Working current	100mA
Tongue length	22mm
Weight	1.6KG
Door type applicable	Wooden/Metal/Glass/Fire door

TX-602A
All-In-One Electric Motor Lock(Single)



Dimension



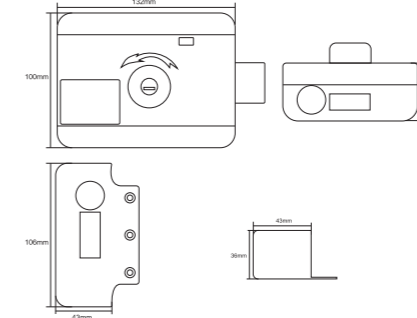
Parameter

Model	TX-602A
Lock size	132L*100W*43H(mm)
Cylinder	Single
Input voltage	DC12±10%
Start current	950mA
Working current	100mA
Tongue length	22mm
Weight	1.6KG
Door type applicable	Wooden/Metal/Glass/Fire door

TX-602B
All-In-One Electric Motor Lock(Double)



Dimension



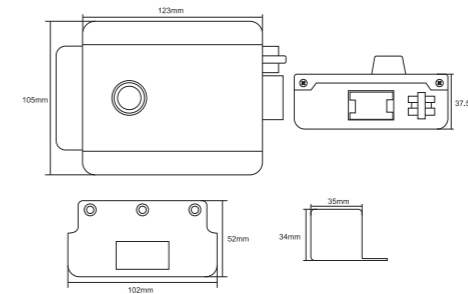
Parameter

Model	TX-602B
Lock size	132L*100W*43H(mm)
Cylinder	Double
Input voltage	DC12±10%
Start current	950mA
Working current	150mA
Tongue length	12mm
Weight	1.4KG
Door type applicable	Wooden/Metal/Glass/Fire door

TX-603A
Electric Rim Lock(Single)



Dimension



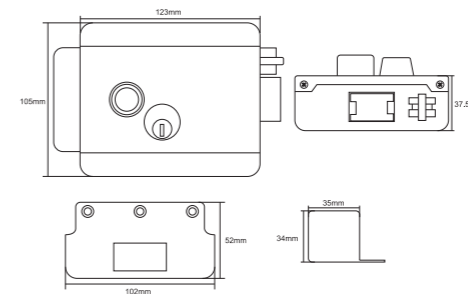
Parameter

Model	TX-603A
Lock size	123L*105W*37.5H(mm)
Cylinder	Single
Input voltage	DC12±10%
Start current	950mA
Working current	150mA
Tongue length	14mm
Weight	1.25KG
Door type applicable	Wooden/Metal/Glass/Fire door

TX-603B
Electric Rim Lock(Double)



Dimension



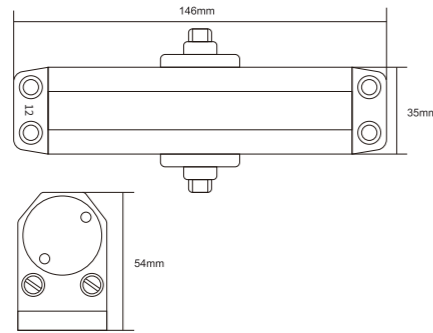
Parameter

Model	TX-603B
Lock size	123L*105W*37.5H(mm)
Cylinder	Double
Input voltage	DC12±10%
Start current	950mA
Working current	150mA
Tongue length	14mm
Weight	1.3KG
Door type applicable	Wooden/Metal/Glass/Fire door

TX-S101
Door Closer



Dimension



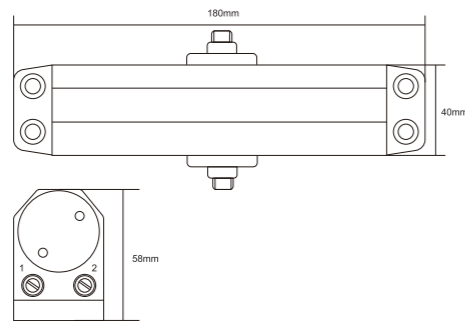
Parameter

Model	TX-S101
Fix size	132*19mm
Body size	146*35*54mm
Max Door Weight	20-40KG
Max Door Width	750mm
Spring power	EN1-2
Max opening angle	130°
Constant speed function	No
Hold Open	No
Applicability	-20°C-55°C
Selective color	Silver/Black/Milky/Golden

TX-S112
Door Closer



Dimension



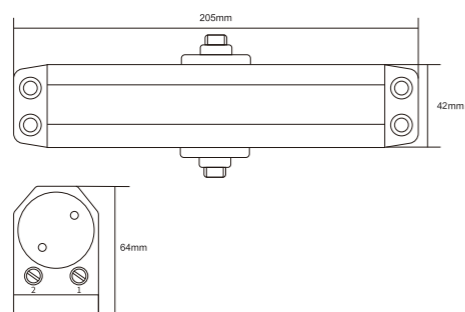
Parameter

Model	TX-S112
Fix size	165*19mm
Body size	180*40*58mm
Max Door Weight	40-60KG
Max Door Width	950mm
Spring power	EN2-3
Max opening angle	180°
Constant speed function	Yes
Hold Open	Yes
Applicability	-20°C-55°C
Selective color	Silver/Black/Milky/Golden

TX-S203
Door Closer



Dimension



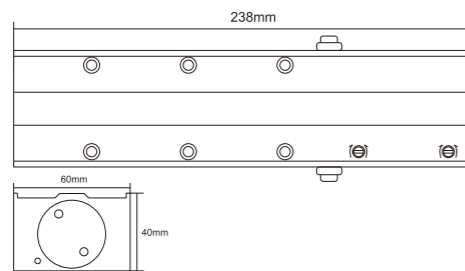
Parameter

Model	TX-S203
Fix size	188*19mm
Body size	205*42*64mm
Max Door Weight	60-80KG
Max Door Width	1100mm
Spring power	EN3-4
Max opening angle	180°
Constant speed function	Yes
Hold Open	Yes
Applicability	-20°C-55°C
Selective color	Silver/Black/Milky/Golden

TX-S505
Door Closer



Dimension



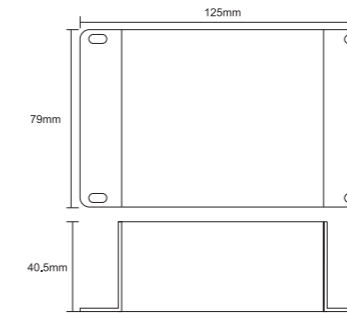
Parameter

Model	TX-S505
Fix size	50*50*43 mm
Body size	238*60*40mm
Max Door Weight	40-100KG
Max Door Width	850-1250mm
Spring power	EN2-5
Max opening angle	180°
Constant speed function	Yes
Hold Open	Yes
Applicability	-20°C-55°C
Selective color	Silver/Black/Milky/Golden

TX-PS01/02
Switching Power Supply



Dimension



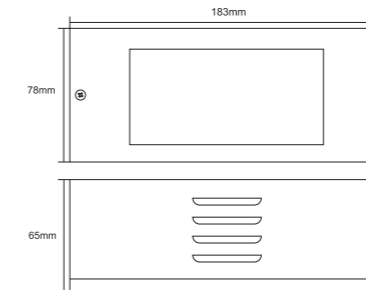
Parameter

Model	TX-PS01	TX-PS01
Size	125L*79W*40.5H(mm)	
Input	AC220V±20% / AC110V±20%	
Output	DC12V±15%	
Output current	3A	5A
Charging current	1A	
Overcurrent Protection	3.6A ± 5%	6A ± 5%
Standard battery	12V / 7Ah	
Material	Aluminum alloy	
Weight	0.35KG	

TX-PS04/05
Linear Power Supply



Dimension



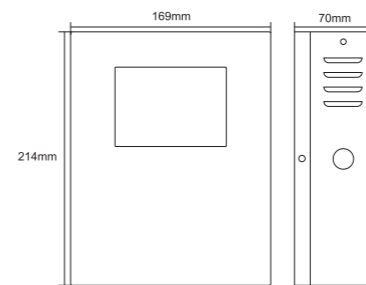
Parameter

Model	TX-PS04	TX-PS05
Size	183L*78W*65H(mm)	
Input	AC220V±20%	
Output	DC12V±15%	
Output current	3A	5A
Charging current	No	
Overcurrent Protection	No	
Standard battery	No	
Ripple	≤ 100mV	
Weight	1.25KG	

TX-PS06/07
Linear Power Supply



Dimension



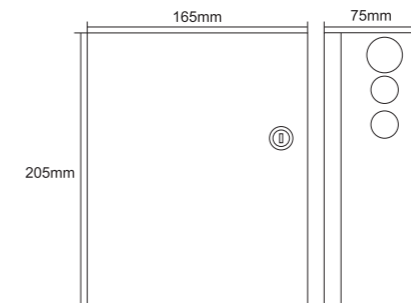
Parameter

Model	TX-PS06	TX-PS07
Size	214L*169W*70H(mm)	
Input	AC220V±20%	
Output	DC12V±15%	
Output current	3A	5A
Charging current	1A	
Overcurrent Protection	6A ± 5%	
Standard battery	12V / 7Ah	
Ripple	≤ 100mV	
Weight	1.7KG	

TX-PS08/09
Switching Power Supply



Dimension



Parameter

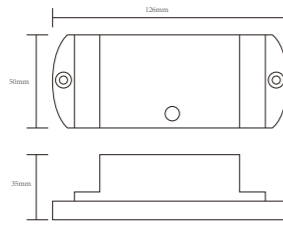
Model	TX-PS08	TX-PS09
Size	205*165*75(mm)	265*195*75(mm)
Input	AC220V±20%	
Output	DC12V±15%	
Output current	3A	5A
Charging current	1A	
Overcurrent Protection	3.6A ± 5%	6A ± 5%
Standard battery	12V / 7Ah	
Ripple	≤ 120mV	
Weight	1.05KG	1.5KG

TX-A90

Access Control Power Supply



Dimensions



Parameter

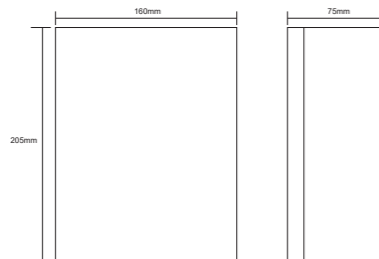
Model	TX-A90
Product size	126*50*35mm
Input voltage	AC90-260V
Output voltage	DC12V
Output current	3A
Battery	NO
Weight	0.1KG

TX-PS20

Uninterrupted Power Supply



Dimensions



Parameter

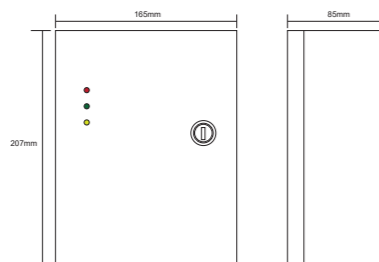
Model	TX-PS20
Product size	205*160*75mm
Input voltage	AC220V 50Hz
Output voltage	DC12 V
Output current	3A/5A
Battery	12V/7AH
Weight	1.25KG

TX-PS21

Access Control Power Supply



Dimensions



Parameter

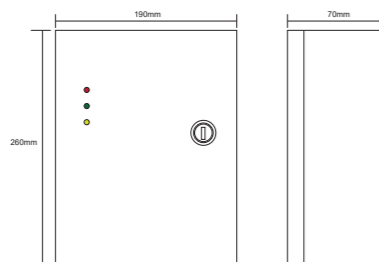
Model	TX-PS21
Product size	207*165*85mm
Input voltage	AC100-260V 50-60Hz
Output voltage	DC11.5 V - 13.5 V
Output current	3A/5A
Battery	12V/7AH
Weight	1.25KG

TX-PS22

Access Control Power Supply



Dimensions



Parameter

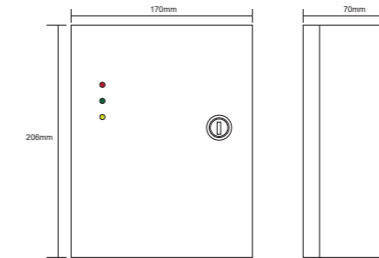
Model	TX-PS22
Product size	260*190*70mm
Input voltage	AC190-265V 50-60Hz
Output voltage	DC12 V
Output current	6A
Battery	12V/7AH
Weight	1.5KG

TX-PS23

Access Control Power Supply



Dimensions



Parameter

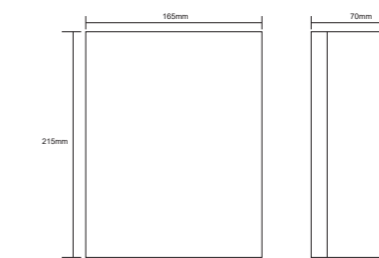
Model	TX-PS23
Product size	206*170*70mm
Input voltage	AC90-265V 50-60Hz
Output voltage	DC13 V - 14.8 V
Output current	5A
Battery	12V/7AH
Weight	1KG

TX-PS24

Access Control Power Supply



Dimensions



Parameter

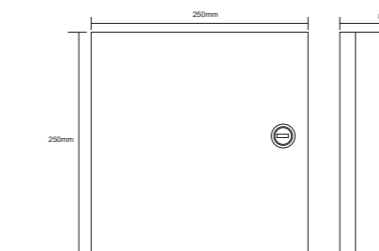
Model	TX-PS24
Product size	215*165*70mm
Input voltage	AC90-245V
Output voltage	DC12 V
Output current	5A
Battery	12V/7AH
Weight	1.25KG

TX-PS25

Access Control Power Supply



Dimensions



Parameter

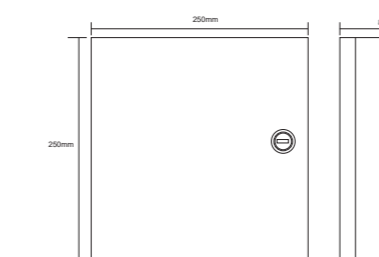
Model	TX-PS25
Product size	250*250*86mm
Input voltage	AC100-245 V 50Hz
Output voltage	DC12V
Output current	10A
Battery	12V/7AH
Weight	2KG

TX-PS26

Access Control Power Supply



Dimensions



Parameter

Model	TX-PS26
Product size	250*250*86mm
Input voltage	AC100-245 V 50Hz
Output voltage	DC12V
Output current	20A
Battery	12V/7AH
Weight	2KG

The Intelligent Super Lock Handle is a highly integrated intelligent door lock product developed through a collaboration with a number of prominent scientific research institutions. The Smart Door Lock Handle integrates seamlessly with smartphones, which opens the door to endless possibilities of smart lock capabilities.

TX-LS60A/80A/100A/120A

Smart Electric Handle Lock(Single Door)



Parameter

Model	TX-LS60A	TX-LS80A	TX-LS100A	TX-LS120A
Hole distance	600mm	800mm	1000mm	1200mm
Unlock way	APP/Fingerprint/Password/Card/Remote control/Exit button			
Fingerprint sensor	Semiconductor fingerprint			
Fingerprint capacity	100 groups			
Card capacity	100 pcs			
Unlock password	1 group			
Management password	1 group			
Compatible lock type	Electric magnetic lock/Electric bolt lock/Electric Strike/Electric Rim lock etc			
Handle material	Aluminum alloy			
Working voltage	DC6V (4 AA batteries)			
Working current	≤ 200uA			
Low pressure tips	≤ 4.8V			
Quiescent Current	≤ 30mA			
Working environment	-20°C~+50°C			
USB emergency charging interface	Yes			
Suitable	Wooden / Glass / Metal / Fireproof door			

TX-LS60B/80B/100B/120B

Smart Electric Handle Lock(Double Door)



Parameter

Model	TX-LS60B	TX-LS80B	TX-LS100B	TX-LS120B
Hole distance	600mm	800mm	1000mm	1200mm
Unlock way	APP/Fingerprint/Password/Card/Remote control/Exit button			
Fingerprint sensor	Semiconductor fingerprint			
Fingerprint capacity	100 groups			
Card capacity	100 pcs			
Unlock password	1 group			
Management password	1 group			
Compatible lock type	Electric magnetic lock/Electric bolt lock/Electric Strike/Electric Rim lock etc			
Handle material	Aluminum alloy			
Working voltage	DC6V (4 AA batteries)			
Working current	≤ 200uA			
Low pressure tips	≤ 4.8V			
Quiescent Current	≤ 30mA			
Working environment	-20°C~+50°C			
USB emergency charging interface	Yes			
Suitable	Wooden / Glass / Metal / Fireproof door			

We TEXA work with domestic scientific research institutes, and develop a series of Automatic door operators, successfully gain a lot of global product patents. Working with the face recognition system, infrared sensor device and intelligent access controller, remote control devices and other equipment, it becomes the excellent solution for the the problem of the transition from ordinary doors to fully automatic doors, that make you open the door easier, more convenient and safer. Now they has been exported to more than 60 countries and regions in the wxan0zssmm are widely used in airports, banks, smart buildings, smart communities and other Y: 264.46 mm places, and obtained an extensive recognition from clients.

TX-PW180

Articulating Arm Door Opener



Parameter

Model	TX-PW180
Max.torque force	80Nm
Opening Direction	Single
Opener Size	330*80*120mm
Max.Door Width	1200mm
Max.Door Weight	100KG
Working Current	45W
Opening Speed	3-8S
Opening Time	1-30S
Working Life	≥ 200Ten Thousand Times
Protection Level	IP66
Material	Aluminum alloy
Application	Airport / Smart buildings / Smart communities / Prisons / Banks
Operating temperature	-40°C~+55°C
Weight	9KG

TX-PW240

Articulating Arm Door Opener



Parameter

Model	TX-PW180
Max.torque force	110Nm
Opening Direction	Single
Opener Size	330*80*120mm
Max.Door Width	1600mm
Max.Door Weight	150KG
Working Current	45W
Opening Speed	3-8S
Opening Time	1-30S
Working Life	≥ 200Ten Thousand Times
Protection Level	IP66
Material	Aluminum alloy
Application	Airport / Smart buildings / Smart communities / Prisons / Banks
Operating temperature	-40°C~+55°C
Weight	9KG

TX-PM70

Upper arm door opener



Parameter

Model	TX-PM70
Max.torque force	30Nm
Opening Direction	Single
Opener Size	515*90*80mm
Max.Door Width	1000mm
Max.Door Weight	80KG
Working Current	45W
Opening Speed	3-8S
Opening Time	1-30S
Working Life	≥ 200Ten Thousand Times
Operating temperature	-40°C+55°C
Application	Airport / Smart buildings / Smart communities / Prisons / Banks
Weight	9KG

TX-PM80A

Upper arm door opener



Parameter

Model	TX-PM80A
Max.torque force	40Nm
Opening Direction	Single
Opener Size	580*90*80mm
Max.Door Width	1200mm
Max.Door Weight	100KG
Working Current	45W
Opening Speed	3-8S
Opening Time	1-30S
Working Life	≥ 200Ten Thousand Times
Operating temperature	-40°C+55°C
Application	Airport / Smart buildings / Smart communities / Prisons / Banks
Weight	10KG

TX-PD180

Concealed door operator



Parameter

Model	TX-PD180
Max.torque force	75Nm
Opening Direction	Single
Opener Size	296*132*84mm
Max.Door Width	1200mm
Max.Door Weight	150KG
Working Current	35W
Opening Speed	3-8S
Opening Time	1-30S
Working Life	≥ 200Ten Thousand Times
Operating temperature	-40°C+55°C
Application	Airport / Smart buildings / Smart communities / Prisons / Banks
Weight	6.5KG

TX-PD240

Concealed door operator



Parameter

Model	TX-PD240
Max.torque force	120Nm
Opening Direction	Single
Opener Size	358*184*108mm
Max.Door Width	1500mm
Max.Door Weight	200KG
Working Current	55W
Opening Speed	3-8S
Opening Time	1-30S
Working Life	≥ 200Ten Thousand Times
Operating temperature	-40°C+55°C
Application	Airport / Smart buildings / Smart communities / Prisons / Banks
Weight	11.5KG

TX-HW10

Automatic door infrared sensor



Parameter

Model	TX-HW10
Detection range	4m(W)x2m(D)
Max. Current	1A
Max. Voltage	DC12V to 24V
LED	Yes
Implementation Technology	Microwave/Microwave Processor
Transmission frequency	24.125GHz
Maximum installation height	3m
Transmission frequency density	<5mW/cm2
Minimum detection speed	5 cm/s (along the longitudinal axis of the sensor)
Protection Level	IP52
Dimensions	180*80*50(mm)
Weight	0.25KG

TX-GM227

Motion Top Scan

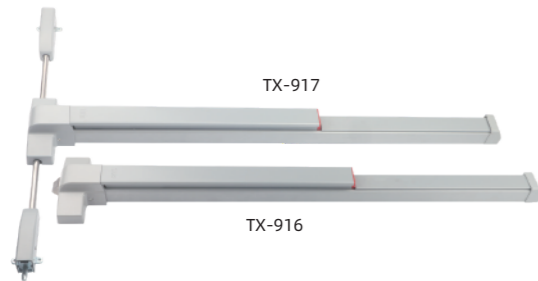


Parameter

Model	TX-GM227
Application	Door
Feature	Infrared safety grating sets
Power input	DC12-30V AC12-24V
Detect range	75mm spot, 1.5-2.5m adjustment
Scan area setting	Mechanical adjustment of wheels 500-2800mm
Max.install height	Install it on top of the door leaf
Material	ABS/Aluminum
Operation mode	Motion or standstill mode
Protection Level	IP52
Dimensions	317.86*44.3*37.8(mm)
Weight	0.35KG

TX-916/917

Mechanical Push Bar Emergency Exit Lock

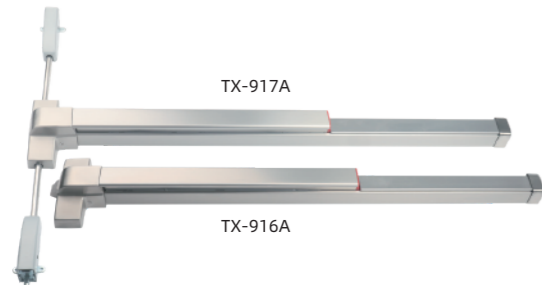


Parameter

Model	TX-916	TX-917
Material	Spray molding	
Surface treatment	Iron spray coating	
Push bar force	≤ 47N	
Color	Silver gray (others can be customized)	
Function	Customizable knob without locking function	
Service life	> 200,000 times	
Fire resistance time	> 90 minutes	
Pole length	Upper 850mm, Lower 1000mm	
Door Height	2.2 meters, if it exceeds, there is an extension rod	
Matching products	Lock core, outer handle lock, electric lockmouth, etc	

TX-916A/917A

Mechanical Push Bar Emergency Exit Lock

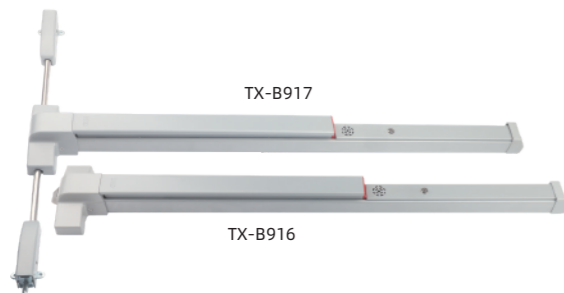


Parameter

Model	TX-916A	TX-917A
Material	SUS 304	
Surface treatment	Stainless Steel Brushed	
Push bar force	≤ 47N	
Color	Silver gray (others can be customized)	
Function	Customizable knob without locking function	
Service life	> 200,000 times	
Fire resistance time	> 90 minutes	
Pole length	Upper 850mm, Lower 1000mm	
Door Height	2.2 meters, if it exceeds, there is an extension rod	
Matching products	Lock core, outer handle lock, electric lockmouth, etc	

TX-B916/B917

Buzzing Alarm Push Bar Emergency Exit Lock

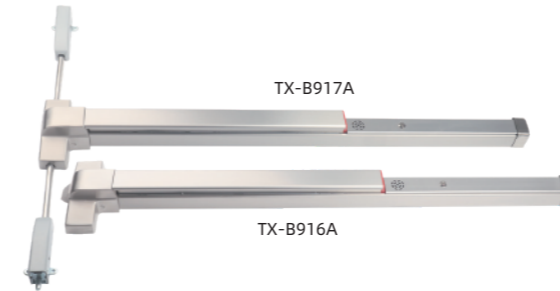


Parameter

Model	TX-B916	TX-B917
Material	Spray molding	
Surface treatment	Iron spray coating	
Push bar force	≤ 47N	
Color	Silver gray (others can be customized)	
Service life	> 200,000 times	
Fire resistance time	> 90 minutes	
Pole length	Upper 850mm, Lower 1000mm	
Door Height	2.2 meters, if it exceeds, there is an extension rod	
Matching products	Lock core, outer handle lock, electric lockmouth, etc	
Battery life	9V dry battery;with a standby time of about 200 days	
Function	Push bar or lock lever triggers a buzzing alarm, requiring key reset	
Alarm decibel	≥ 90DB	

TX-B916A/B917A

Buzzing Alarm Push Bar Emergency Exit Lock

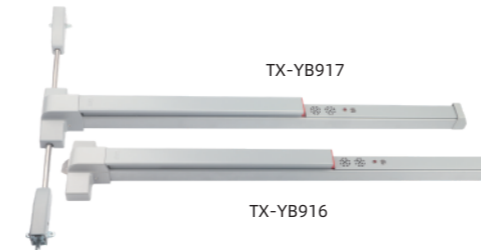


Parameter

Model	TX-B916A	TX-B917A
Material	SUS 304	
Surface treatment	Stainless Steel Brushed	
Push bar force	≤ 47N	
Color	Silver gray (others can be customized)	
Service life	> 200,000 times	
Fire resistance time	> 90 minutes	
Pole length	Upper 850mm, Lower 1000mm	
Door Height	2.2 meters, if it exceeds, there is an extension rod	
Matching products	Lock core, outer handle lock, electric lockmouth, etc	
Battery life	9V dry battery;with a standby time of about 200 days	
Function	Push bar or lock lever triggers a buzzing alarm, requiring key reset	
Alarm decibel	≥ 90DB	

TX-YB916/YB917

Voice Alarm Push-Bar Emergency Exit Lock

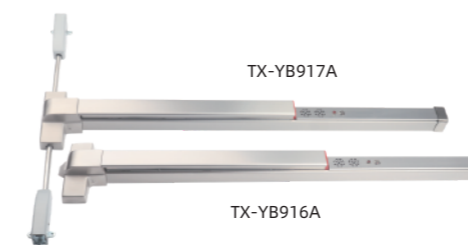


Parameter

Model	TX-YB916	TX-YB917
Material	Spray molding	
Surface treatment	Iron spray coating	
Push bar force	≤ 47N	
Color	Silver gray (others can be customized)	
Service life	> 200,000 times	
Fire resistance time	> 90 minutes	
Pole length	Upper 850mm, Lower 1000mm	
Door Height	2.2 meters, if it exceeds, there is an extension rod	
Matching products	Lock core, outer handle lock, electric lockmouth, etc	
Battery life	9V dry battery;with a standby time of about 200 days	
Function	Push bar or lock lever triggers a buzzing alarm, requiring key reset	
Alarm decibel	≥ 85DB	

TX-YB916A/YB917A

Voice Alarm Push-Bar Emergency Exit Lock

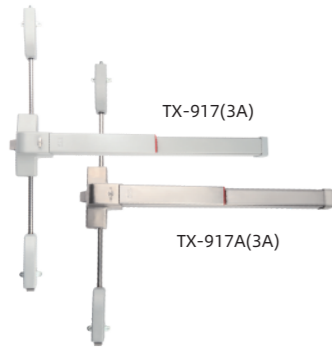


Parameter

Model	TX-YB916A	TX-YB917A
Material	SUS 304	
Surface treatment	Stainless Steel Brushed	
Push bar force	≤ 47N	
Color	Silver gray (others can be customized)	
Service life	> 200,000 times	
Fire resistance time	> 90 minutes	
Pole length	Upper 850mm, Lower 1000mm	
Door Height	2.2 meters, if it exceeds, there is an extension rod	
Matching products	Lock core, outer handle lock, electric lockmouth, etc	
Battery life	9V dry battery;with a standby time of about 200 days	
Function	Push bar or lock lever triggers a buzzing alarm, requiring key reset	
Alarm decibel	≥ 85DB	

TX-917(3A)/917A(3A)

Three Locking Points Push-Bar Emergency Exit Lock



Parameter

Model	TX-917(3A)	TX-917A(3A)
Material	Spray molding	SUS 304
Surface treatment	Iron spray coating	Stainless Steel Brushed
Push bar force	≤ 47N	
Color	Silver gray (others can be customized)	
Function	Customizable knob without locking function	
Service life	> 200,000 times	
Fire resistance time	> 90 minutes	
Pole length	Upper 850mm, Lower 1000mm	
Door Height	2.2 meters, if it exceeds, there is an extension rod	
Matching products	Lock core, outer handle lock, electric lock mouth, etc	

TX-916AB(A3)

Access Control Clutch Push Bar Emergency Exit Lock



Parameter

Model	TX-916AB(A3)
Material	SUS 304
Surface treatment	Stainless Steel Brushed
Push bar force	≤ 47N
Color	Silver gray (others can be customized)
Power input	DC12V 1A
Service life	> 200,000 times
Fire resistance time	> 90 minutes
Unlock delay time	6s
Door Height	2.2 meters, if it exceeds, there is an extension rod
Matching products	Lock core, outer handle lock, electric lock mouth, etc
LED light status	Green light always on: normal working state Flashing red light: fire alarm or fault status
Induction function	4-5 meters away,

TX-916AB(A2)

Intelligent Electric Push Bar Emergency Exit Lock



Parameter

Model	TX-916AB(A2)
Material	SUS 304
Surface treatment	Stainless Steel Brushed
Push bar force	≤ 47N
Color	Silver gray (others can be customized)
Power input	DC12V 2A
Service life	> 200,000 times
Fire resistance time	> 90 minutes
Pole length	Upper 850mm, Lower 1000mm
Door Height	2.2 meters, if it exceeds, there is an extension rod
Matching products	Lock core, outer handle lock, electric lock mouth, etc
Push-pull resistance	≥ 1780N

TX-916A(MBS)/917A(MBS)

Sus 304 Push Bar Emergency Exit Lock With ANSI

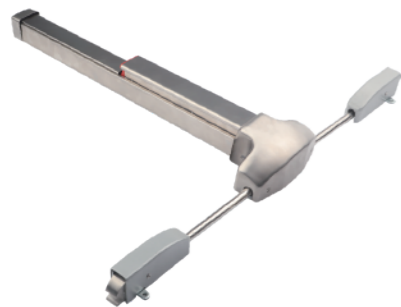


Parameter

Model	TX-916A(MBS)	TX-917A(MBS)
Material	SUS 304, with the vertical pole made of aluminum alloy	
Surface treatment	Wire drawing process	
Push bar force	≤ 47N	
Color	Silver gray (others can be customized)	
Power input	Single lock point. double lock point. triple lockpoint, hidden lock point	
Service life	> 500,000 times	
Fire resistance time	≥ 3 hours	
Pole length	Upper 800mm, lower 900mm	
Door Height	2133mm	
Matching products	Lock core, outer handle lock, electric lock mouth, etc	

TX-916AB(B2)

Intelligent Electric Push Bar Emergency Exit Lock



Parameter

Model	TX-916AB(B2)
Material	3SUS 304
Surface treatment	Stainless Steel Brushed
Push bar force	≤ 47N
Color	Silver gray (others can be customized)
Power input	DC12V 2A
Service life	> 200,000 times
Fire resistance time	> 90 minutes
Pole length	Upper 850mm, Lower 1000mm
Door Height	2.2 meters, if it exceeds, there is an extension rod
Matching products	Lock core, outer handle lock, electric lock mouth, etc
LED light status	Green light always on: normal working state Flashing red light: fire alarm or fault status
Push-pull resistance	≥ 1780N

TX-916A(MBAL)/917A(MBAL)

Aluminium Push Bar Emergency Exit Lock With ANSI



Parameter

Model	TX-916A(MBS)	TX-917A(MBS)
Material	SUS 304, Lock body and Vertical pole :Aluminum alloy	
Surface treatment	Wire drawing process	
Push bar force	≤ 47N	
Color	Silver gray (others can be customized)	
Power input	Single lock point. double lock point. triple lockpoint, hidden lock point	
Service life	> 500,000 times	
Fire resistance time	≥ 3 hours	
Pole length	Upper 800mm, lower 900mm	
Door Height	2133mm	
Matching products	Lock core, outer handle lock, electric lock mouth, etc	

TX-918

Aluminium Alloy Press Type Panic Bar
Emergency Exit Lock



Parameter

Model	TX-918
Material	Top cover/lock box: aluminum alloy Pressure rod/pin: iron
Surface treatment	Baking paint
Press bar force	≤ 70N
Color	Silver gray/red black optional (Customizable)
Press bar length	Default 890mm (Customizable)
Service life	> 200,000 times
Fire resistance time	> 90 minutes
Door Height	Default 2210mm(Customizable)
Matching products	Lock core, outer handle lock, electric lock mouth, etc

TX-918A

Sus 304 Press Type Panic Bar Emergency Exit Lock



Parameter

Model	TX-918A
Material	SUS 304
Surface treatment	Wire drawing process
Press bar force	≤ 70N
Color	Silver gray (others can be customized)
Press bar length	Default 900mm (Customizable)
Service life	> 200,000 times
Fire resistance time	> 90 minutes
Door Height	Default 2210mm(Customizable)
Matching products	Lock core, outer handle lock, electric lock mouth, etc

TX-919

Aluminium Alloy Press Type Panic Bar
Emergency Exit Lock



Parameter

Model	TX-919
Material	Top cover/lock box: aluminum alloy Pressure rod/pin: iron
Surface treatment	Baking paint
Press bar force	≤ 70N
Color	Silver gray/red black optional (Customizable)
Press bar length	Default 890mm (Customizable)
Service life	> 200,000 times
Fire resistance time	> 90 minutes
Door Height	Default 2210mm(Customizable)
Matching products	Lock core, outer handle lock, electric lock mouth, etc

TX-919A

Sus 304 Press Type Panic Bar Emergency Exit Lock



Parameter

Model	TX-919A
Material	SUS 304
Surface treatment	Wire drawing process
Press bar force	≤ 70N
Color	Silver gray (others can be customized)
Press bar length	Default 900mm (Customizable)
Service life	> 200,000 times
Fire resistance time	> 90 minutes
Door Height	Default 2210mm(Customizable)
Matching products	Lock core, outer handle lock, electric lock mouth, etc

TX-919A(3A)

Wind Resistance Press Type Panic Bar
Emergency Exit Lock(Tiandi style three lock points)



Parameter

Model	TX-919A(3A)
Material	SUS 304
Surface treatment	Wire drawing process
Press bar force	≤ 70N
Wind-resistant	≥ 6000Pa
Press bar length	Default 900mm (Customizable)
Service life	> 200,000 times
Fire resistance time	> 90 minutes
Door Height	Default 2100mm(Customizable)
Matching products	Can be used with outer handle lock

TX-919A(4B)

Wind Resistance Press Type Panic Bar
Emergency Exit Lock(Side four locking points)



Parameter

Model	TX-919A(4B)
Material	SUS 304
Surface treatment	Wire drawing process
Press bar force	≤ 70N
Wind-resistant	≥ 6000Pa
Press bar length	Default 900mm (Customizable)
Service life	> 200,000 times
Fire resistance time	> 90 minutes
Door Height	Default 2100mm(Customizable)
Matching products	Can be used with outer handle lock

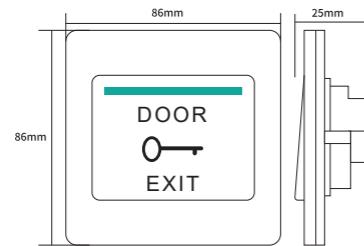
Door release button is one of the most important accessory in the access control system, millions of people commonly use it in the daily life. We produce more than 20 different types of door release button material such as the plastic, aluminum alloy, zinc alloy, stainless steel and so on, to meet the customers' need.

Our release button is featured at elegant design, Long service life, easy installation, gain great feedback from all over the world. Now our products are widely used in the access control system of airport, subway, Banks, prisons, intelligent building, intelligent community, and other important places, and become convenient, fast and intelligent tools for the global users.

TX-900
Exit Button (Rubber)



Dimension



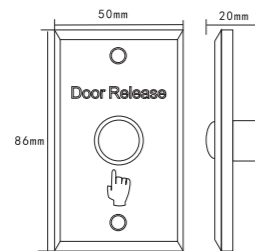
Parameter

Model	TX-900
Size	86L*86W*25H(mm)
Input voltage	DC12V
Output contact	NO/COM
Material	ABS
Mechanical life	500000 Tests
Weight	0.05KG

TX-901
Exit Button (Aluminum)



Dimension



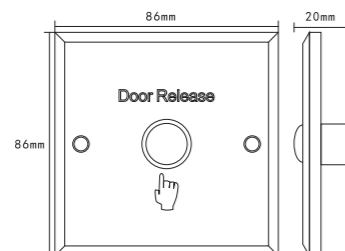
Parameter

Model	TX-901
Size	86L*50W*20H(mm)
Input voltage	DC12V
Output contact	NO/NC/COM
Material	Aluminum alloy
Mechanical life	500000 Tests
Weight	0.11KG

TX-902
Exit Button (Aluminum)



Dimension



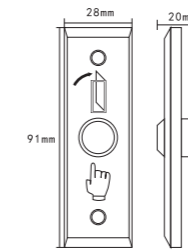
Parameter

Model	TX-902
Size	86L*86W*20H(mm)
Input voltage	DC12V±10%
Output contact	NO/COM
Material	Aluminum alloy
Mechanical life	500000 Tests
Weight	0.16KG

TX-903
Exit Button (Stainless Steel)



Dimension



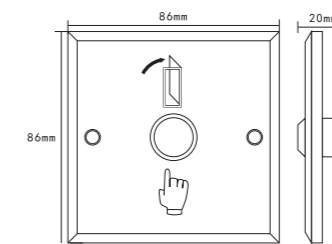
Parameter

Model	TX-903
Size	91L*28W*20H(mm)
Input voltage	DC12V
Output contact	NO/COM
Material	Stainless Steel
Mechanical life	500000 Tests
Weight	0.05KG

TX-904
Exit Button (Stainless Steel)



Dimension



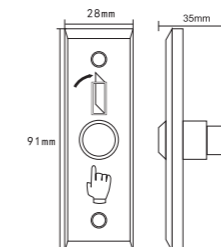
Parameter

Model	TX-904
Size	86L*86W*20H(mm)
Input voltage	DC12V
Output contact	NO/COM contact
Material	Stainless Steel
Mechanical life	500000 Tests
Weight	0.1KG

TX-905
Door Release Button (Night Luminous)



Dimension



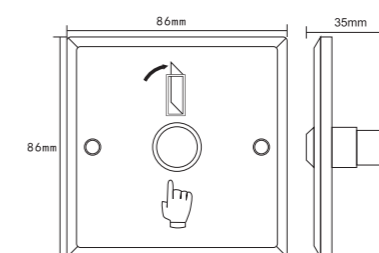
Parameter

Model	TX-905
Size	91L*28W*35H(mm)
Input voltage	DC12V
Output contact	NO/NC/COM
Material	Stainless Steel
Mechanical life	500000 Tests
Weight	0.05KG

TX-906
Door Release Button (Night Luminous)



Dimension



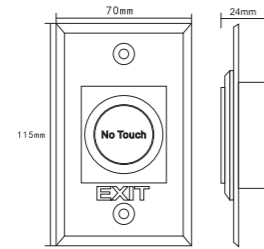
Parameter

Model	TX-906
Size	86L*86W*35H(mm)
Input voltage	DC12V
Output contact	NO/NC/COM
Material	Stainless Steel
Mechanical life	500000 Tests
Weight	0.1KG

TX-907
Infrared Sensor Exit Button



Dimension



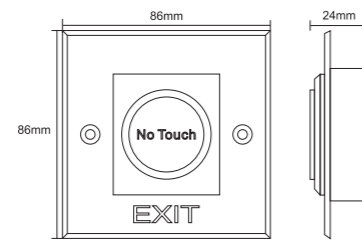
Parameter

Model	TX-907
Size	115L*70W*24H(mm)
Input voltage	DC12V-24V
Output contact	NO/NC/COM
Material	Stainless Steel
Mechanical life	500000 Tests
Weight	0.1KG

TX-908
Infrared Sensor Exit Button



Dimension



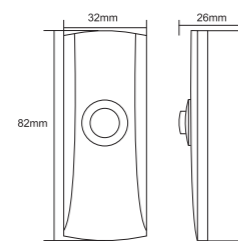
Parameter

Model	TX-908
Size	86L*86W*24H(mm)
Input voltage	DC12V-24V
Output contact	NO/NC/COM
Material	Stainless Steel
Mechanical life	500000 Tests
Weight	0.13KG

TX-909
Mini Exit Button



Dimension



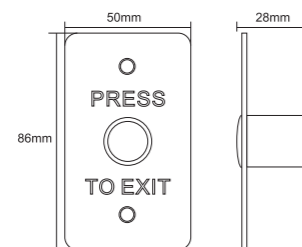
Parameter

Model	TX-909
Size	82L*32W*26H(mm)
Input voltage	DC12V±10%
Output contact	NO/COM
Material	Aluminum alloy
Mechanical life	500000 Tests
Weight	0.1KG

TX-910
Exit Button (Stainless Steel)



Dimension



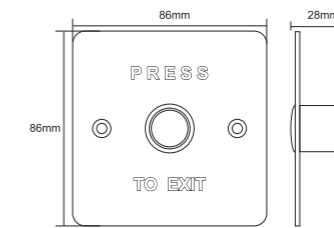
Parameter

Model	TX-910
Size	86L*50W*28H(mm)
Input voltage	DC12V
Output contact	NO/COM
Material	Stainless steel
Mechanical life	500000 Tests
Weight	0.1KG

TX-911
Exit Button (Stainless Steel)



Dimension



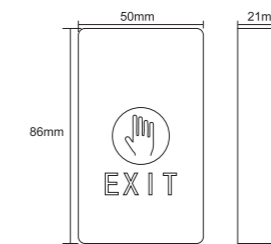
Parameter

Model	TX-911
Size	86L*86W*28H(mm)
Input voltage	DC12V
Output contact	NO/COM
Material	Stainless Steel
Mechanical life	500000 Tests
Weight	0.1KG

TX-912
Exit Button (Touch Screen)



Dimension



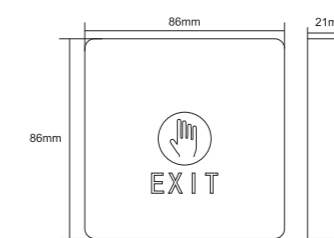
Parameter

Model	TX-912
Size	86L*50W*21H(mm)
Input voltage	DC12V/24V
Output contact	NO/NC/COM
Material	ABS
Mechanical life	500000 Tests
Weight	0.1KG

TX-913
Exit Button (Touch Screen)



Dimension



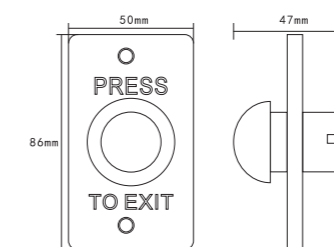
Parameter

Model	TX-913
Size	86L*86W*21H(mm)
Input voltage	DC12V-24V
Output contact	NO/NC/COM
Material	ABS
Mechanical life	500000 Tests
Weight	0.1KG

TX-914
Mushroom Exit Button



Dimension



Parameter

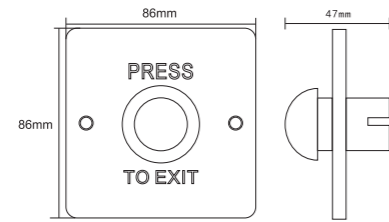
Model	TX-914
Size	86L*50W*47H(mm)
Input voltage	DC12V
Output contact	NO/NC/COM
Material	Stainless Steel
Mechanical life	500000 Tests
Weight	0.15KG

TX-915

Mushroom Exit Button



Dimension



Parameter

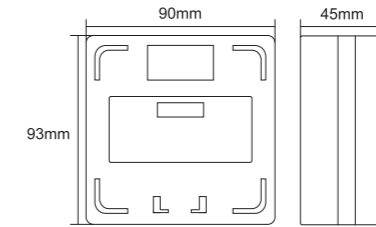
Model	TX-915
Size	86L*86W*47H(mm)
Input voltage	DC12V
Output contact	NO/NC/COM
Material	Stainless Steel
Mechanical life	500000 Tests
Weight	0.2KG

TX-924

Emergent Exit Button With Light



Dimension



Parameter

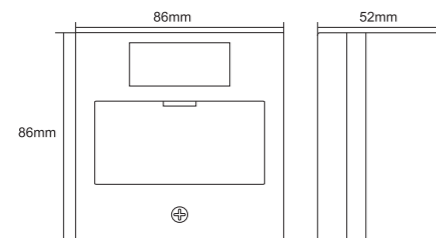
Model	TX-924
Size	90*93*45(mm)
Input voltage	DC12V-24V
Output contact	NO/NC/COM
Material	ABS
Mechanical life	500000 Tests
Weight	0.16KG

TX-920A/B

Emergent Exit Button (Single PoLe/Double PoLe Optional)



Dimension



Parameter

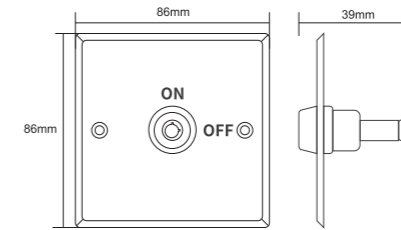
Model	TX-920A	TX-920B
Poles	Single	Double
Size	86L*86W*52H(mm)	
Input voltage	DC12V	
Output contact	NO/NC/COM	
Material	ABS	
Mechanical life	500000 Tests	
Weight	0.16KG	

TX-930

Door Release Button (Stainless Steel and Same key)



Dimension



Parameter

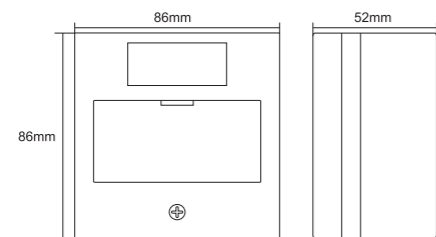
Model	TX-930
Size	86L*86W*39H(mm)
Input voltage	DC12V
Output contact	NO/NC/COM
Material	Stainless Steel
Mechanical life	500000 Tests
Weight	0.12KG

TX-921

Emergent Exit Button For Fire



Dimension



Parameter

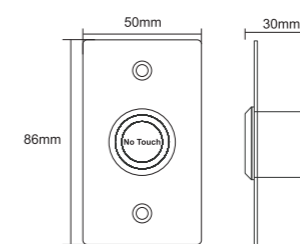
Model	TX-921
Size	86L*86W*52H(mm)
Input voltage	DC12V
Output contact	NO/NC/COM
Material	ABS
Mechanical life	500000 Tests
Weight	0.16KG

TX-943A

Touchless Stainless Steel Exit Button



Dimension



Parameter

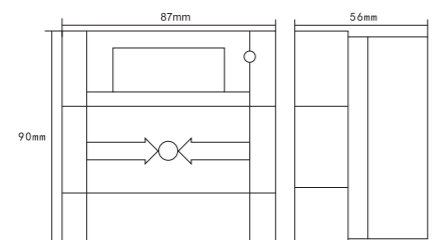
Model	TX-943A
Size	86L*50W*30H(mm)
Input voltage	DC12V-24V
Output contact	NO/NC/COM
Material	Stainless Steel
Mechanical life	500000 Tests
Weight	0.1KG

TX-923A/B

Double PoLe Door Release Button (Resetting Function)



Dimension



Parameter

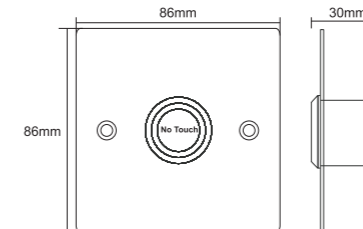
Model	TX-923A	TX-923B
Poles	Single	Double
Size	90L*87W*56H(mm)	
Input voltage	DC12V	
Output contact	NO/NC/COM	
Material	ABS	
Mechanical life	500000 Tests	
Weight	0.16KG	

TX-943B

Touchless Stainless Steel Exit Button



Dimension

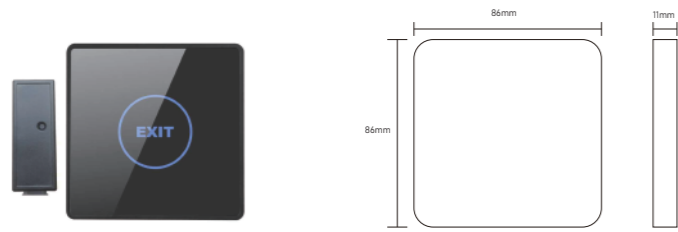


Parameter

Model	TX-943B
Size	86L*86W*30H(mm)
Input voltage	DC12V-24V
Output contact	NO/NC/COM
Material	Stainless Steel
Mechanical life	500000 Tests
Weight	0.15KG

TX-K52EB
Wireless Touch Exit Button

Dimension

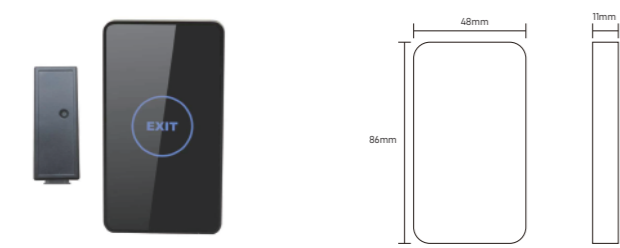


Parameter

Model	TX-K52EB
Input voltage	DC12-24V
Panel material	Acrylic or Tempered Glass
Wireless frequency	433.92MHz
Contact Output	NO,NC
Colour	Black/White
Receiving size	63(L) × 24 (W) × 19 (H) mm
Switch size	86 (L) × 86 (W) × 11 (H) mm

TX-K53EB
Wireless Touch Exit Button

Dimension

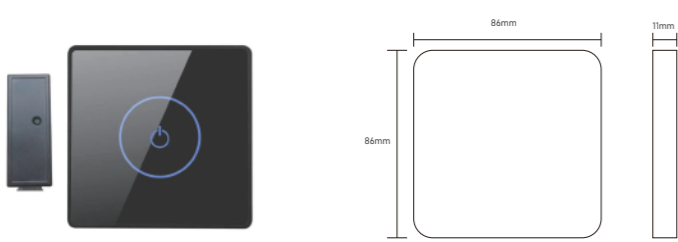


Parameter

Model	TX-K53EB
Input voltage	DC12-24V
Panel material	Acrylic or Tempered Glass
Wireless frequency	433.92MHz
Contact Output	NO,NC
Colour	Black/White
Receiving size	63(L) × 24 (W) × 19 (H) mm
Switch size	86 (L) × 48 (W) × 11 (H) mm

TX-K52B-C
Wireless Touch Exit Button

Dimension

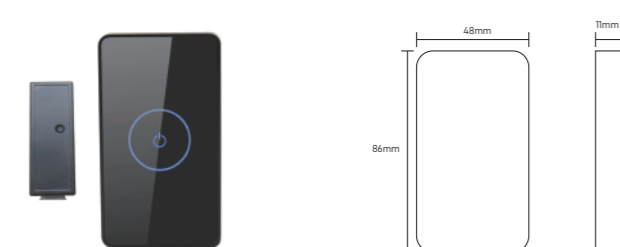


Parameter

Model	TX-K52B-C
Input voltage	DC12-24V
Panel material	Acrylic or Tempered Glass
Wireless frequency	433.92MHz
Contact Output	NO,NC
Colour	Black/White
Receiving size	63(L) × 24 (W) × 19 (H) mm
Switch size	86 (L) × 86 (W) × 11 (H) mm

TX-K53B-C
Wireless Touch Exit Button

Dimension



Parameter

Model	TX-K53B-C
Input voltage	DC12-24V
Panel material	Acrylic or Tempered Glass
Wireless frequency	433.92MHz
Contact Output	NO,NC
Colour	Black/White
Receiving size	63(L) × 24 (W) × 19 (H) mm
Switch size	86 (L) × 86 (W) × 11 (H) mm

TX-K55
Wireless Inductive Exit Button

Dimension

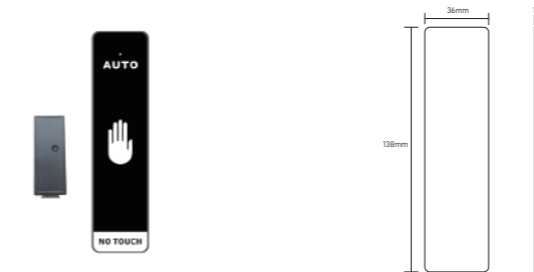


Parameter

Model	TX-K55
Input voltage	DC12-24V
Panel material	Tempered Glass
Wireless frequency	433.92MHz
Contact Output	NO,NC
Sensing Distance	1-3cm
Receiving size	63(L) × 24 (W) × 19 (H) mm
Switch size	138 (L) × 36 (W) × 10 (H) mm

TX-K55D
Wireless Inductive Exit Button

Dimension



Parameter

Model	TX-K55D
Input voltage	DC12-24V
Panel material	Tempered Glass
Wireless frequency	433.92MHz
Contact Output	NO,NC
Sensing Distance	1-3cm
Receiving size	63(L) × 24 (W) × 19 (H) mm
Switch size	138 (L) × 36 (W) × 10 (H) mm

TX-K55H-C
Infrared Sensors Exit Button

Dimension



Parameter

Model	TX-K55H-C
Input voltage	DC12-24V
Panel material	Tempered Glass
Wireless frequency	433.92MHz
Contact Output	NO,NC
Sensing Distance	3-18cm adjustable
Receiving size	63(L) × 24 (W) × 19 (H) mm
Switch size	138 (L) × 36 (W) × 10 (H) mm

TX-K55HD-C
Infrared Sensors Exit Button

Dimension



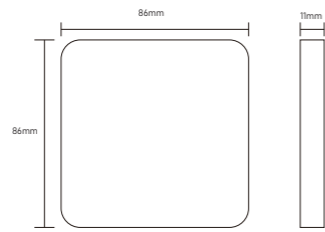
Parameter

Model	TX-K55HD-C
Input voltage	DC12-24V
Panel material	Tempered Glass
Wireless frequency	433.92MHz
Contact Output	NO,NC
Sensing Distance	3-18cm adjustable
Receiving size	63(L) × 24 (W) × 19 (H) mm
Switch size	138 (L) × 36 (W) × 10 (H) mm

TX-K58H-C
Infrared Sensors Exit Button



Dimension



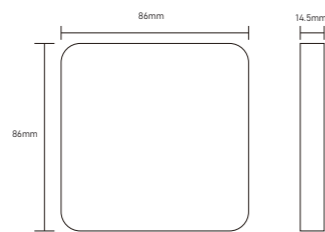
Parameter

Model	TX-K58H-C
Input voltage	DC12-24V
Panel material	Tempered Glass
Wireless frequency	433.92MHz
Contact Output	NO,NC
Sensing Distance	3-18cm adjustable
Receiving size	63(L) × 24 (W) × 19 (H) mm
Switch size	86 (L) × 86 (W) × 11 (H) mm

TX-RT861
Infrared Induction Exit Button



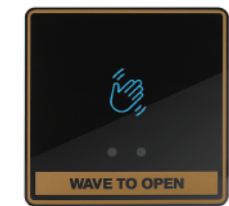
Dimension



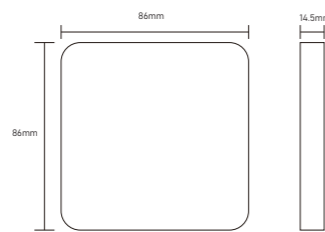
Parameter

Model	TX-RT861
Input voltage	DC12-30V
Panel material	ABS+Acrylic
Wireless frequency	433MHz
Contact Output	NO,NC,COM
Sensing Distance	5-8cm
Power Supply	3 x AA batteries
Switch size	86 (L) × 86 (W) × 14.5 (H) mm

TX-PI861F
Infrared Induction Exit Button



Dimension



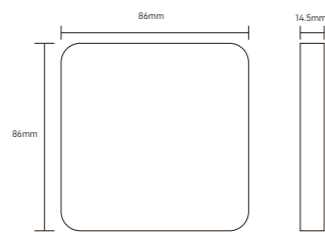
Parameter

Model	TX-PI861F
Input voltage	DC12-24V
Panel material	ABS+Acrylic
LED	Standby blue, Response green
Contact Output	NO,NC,COM
Sensing Distance	5-20cm adjustable
Delay function	0.3-30s adjustable
Switch size	86 (L) × 86 (W) × 14.5 (H) mm

TX-PI864B
Infrared Induction Exit Button



Dimension



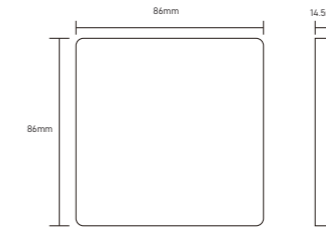
Parameter

Model	TX-PI864B
Input voltage	DC12-24V
Panel material	ABS+Acrylic
LED	Standby red, Response green
Contact Output	NO,NC,COM
Sensing Distance	5-25cm adjustable
Delay function	0-30s adjustable
Switch size	86 (L) × 86 (W) × 14.5 (H) mm

TX-SI864A
Touchless Sensor Exit Button



Dimension



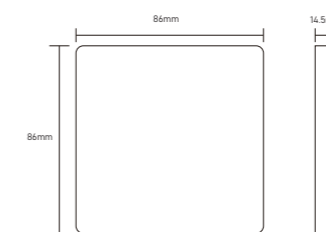
Parameter

Model	TX-SI864A
Input voltage	DC12-24V
Panel material	Aluminium alloy+ABS
Sensitive Distance	5-20cm Adjustable
Contact Output	NO,NC,COM
Time delay	0~30s Adjustable
LED Indicator	Standby blue, response green
Switch size	86 (L) × 86 (W) × 14.5 (H) mm

TX-PT864B
Touch Sensor Exit Button



Dimension



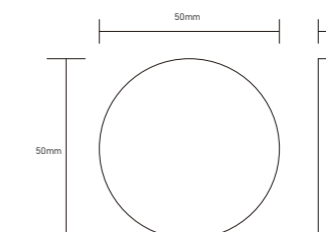
Parameter

Model	TX-PT864B
Input voltage	DC12-24V
Panel material	ABS+Acrylic
Mechanical life	150,000 times
Contact Output	NO,NC,COM
LED Indicator	Standby blue, response green
Mounting Way	Surface Mount/Embedded
Switch size	86 (L) × 86 (W) × 14.5 (H) mm

TX-G50-C
Wireless Exit Button



Dimension



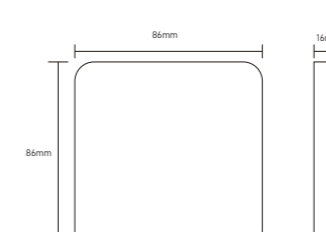
Parameter

Model	TX-G50-C
Input voltage	DC12-24V
Panel material	ABS
Wireless frequency	433.92MHz
Contact Output	NO,NC
Durability test	500,000 aging tests passed
Battery	cr2032*2
Switch size	50 (L) × 50 (W) × 12 (H) mm

TX-G86-C
Wireless Exit Button



Dimension



Parameter

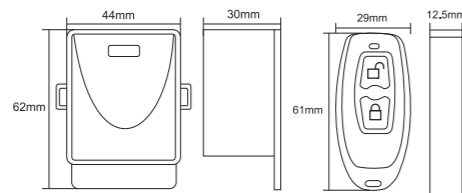
Model	TX-G86-C
Input voltage	DC12-24V
Panel material	ABS
Wireless frequency	433.92MHz
Contact Output	NO,NC
Durability test	500,000 aging tests passed
Battery	cr2032*2
Switch size	86 (L) × 86 (W) × 16 (H) mm

TX-950

Remote control exit button



Dimension



Parameter

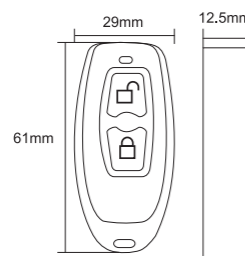
Model	TX-950
Size	62L*44W*30H(mm)
Input voltage	DC12V
Output contact	NO/NC/COM
Material	Plastic
Remote control distance	30-50mm
Weight	0.1KG

TX-951

Remote control



Dimension



Parameter

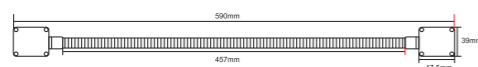
Model	TX-951
Size	61L*29W*12.5H(mm)
Input voltage	DC12V
Output contact	NO/NC/COM
Material	Plastic
Remote control distance	30-50mm
Weight	0.05KG

TX-960

Door Loop



Dimension



Parameter

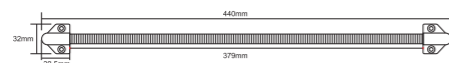
Model	TX-960
Size	590L*39W*5H(mm)
Color	Silver
Inner diameter	13mm
Head Material	Stainless Steel
Hose Material	Zinc Alloy
Installation Mode	Surface mount
Weight	0.16KG

TX-961

Door Loop



Dimension



Parameter

Model	TX-961
Size	440L*32W*5H(mm)
Color	Silver
Inner diameter	10mm
Head Material	Stainless Steel
Hose Material	Zinc Alloy
Installation Mode	Surface mount
Weight	0.05KG

TX-A210F

Slim Aluminium Door Lock



Parameter

Model	TX-A210F
Dimension	303x43x22.5mm
Material	304#stainless steel, ABS,arcylic
Available Color	Satin Nickle and Black Nickle
Door Thickness	38-55(mm)
Software Optional	Tuya APP/ TTLock APP
Power Supply	DC6V:4pcs AAA alkaline batteries
Life time	300,000 times
User Quantity	300 (Fingerprint, Password, Card) ; Administrators: 9 groups
Unlock Time	1-1.5seconds
Working Temperature	-20~45 degree
Available Mortise	2885/3585/4585/5085/6085/7085 Mortise
Unlock Way	IC card, Passcode, Fingerprint,APP, Key
Suggest usage	Wooden door, Aluminum door, Sliding door

TX-A220

Deadbolt Lock



Parameter

Model	TX-A220
Dimension	68x153x29.5mm(exterior) 72x173x51.5mm(interior)
Material	Aluminum,ABS,Arcylic
Product Color	Silver/ Black /Gray
Door Thickness	35-55mm
Software Optional	Tuya APP/ TTLock APP
Power Supply	DC6V:4pcs AA alkaline batteries
Life time	300,000 times
Emergency Power	Micro USB
Unlock Time	1-1.5seconds
Working Temperature	-20~45 degree
Mortise Type	60/70 adjustable deadbolt mortise
Unlock Way	IC Card,passcode,APP,wristband,manual key
Application	Home/Apartment/Airbnb/Office/Hotel

TX-A220F

Deadbolt Lock



Parameter

Model	TX-A220F
Dimension	68x153x29.5mm(exterior) 72x173x51.5mm(interior)
Material	Aluminum,ABS,Arcylic
Color	Silver/ Black /Gray
Door Thickness	35-55mm
Software Optional	Tuya APP/ TTLock APP
Power Supply	DC6V:4pcs AA alkaline batteries
Life time	300,000 times
User Capacity	Card+Password+Fingerprint:300 , 9 groups administrators
Unlock Time	1-1.5seconds
Working Temperature	-20~45 degree
Mortise Type	60/70 adjustable deadbolt mortise
Unlock Way	Fingerprint,IC Card,passcode,APP,manual key
Application	Home/Apartment/Airbnb/Office/Hotel

TX-A230N
Fingerprint Smart Lock



Parameter

Model	TX-A230N
Dimension	234x76x25mm
Material	Aluminum Alloy,ABS,Arcylic
Available Color	Black/Satin Nickel
Door Thickness	35-55mm
Software Optional	Tuya APP/ TLock APP
Power Supply	DC6V:4pcs AA alkaline batteries
Life time	300,000 times
User Capacity	Card:200; Password:150 ; Fingerprint: 100 ; one admin
Unlock Time	1-1.5seconds
Working Temperature	-20~50 degree
Mortise Type	Support 60#Single latch, 6050/5572/4585/6085/7085/KS mortise
Unlock Way	Fingerprint, IC Card, password,APP,manual key
Suggest usage	Wooden door, Aluminum door, Sliding door

TX-A233
Fingerprint Smart Lock



Parameter

Model	TX-A233
Dimension	193x75x22mm(Front) 193x75x23.5(After)
Material	Aluminum Alloy,ABS,Arcylic
Color	Black/Satin Nickel
Door Thickness	35-60mm
Software Optional	Tuya APP/ TLock APP
Power Supply	DC6V:4pcs AA alkaline batteries
Life time	300,000 times
User Capacity	Card+password+fingerprint:300 groups
Unlock Time	1-1.5seconds
Working Temperature	-20~45 degree
Mortise Type	Support single latch, 5050/5572/5070/4585/6085/KS mortise
Unlock Way	Fingerprint, IC Card, password,APP,manual key
Suggest usage	Wooden door, Aluminum door, Sliding door

TX-A260
Fingerprint Smart Lock



Parameter

Model	TX-A260
Dimension	284x68x21mm
Material	Aluminum Alloy,ABS,Arcylic
Product Color	Black Nickel/Satin Nickel
Door Thickness	35-55mm
Software Optional	Tuya APP/ TLock APP
Power Supply	DC6V:4pcs AA alkaline batteries
Life time	300,000 times
User Capacity	Card+Password+Fingerprint:300 , 9 groups administrators
Unlock Time	1-1.5seconds
Working Temperature	-20~45 degree
Available Mortise	Support 60#Single latch, 6050/5572/4585/6085/7085 mortise
Unlock Way	Fingerprint,IC Card,password,APP,wristban,mechanical key
Suggest usage	Wooden door, Aluminum door, Sliding door

TX-A270
Fingerprint Smart Lock



Parameter

Model	TX-A270
Dimension	263x69x22.5mm
Material	Aluminum Alloy,ABS,Arcylic
Product Color	Black/Satin Nickel
Door Thickness	35-60mm
Software Optional	Tuya APP/ TLock APP
Power Supply	DC6V:4pcs AA alkaline batteries
Life time	300,000 times
User Capacity	Card+Password+Fingerprint:300 , 9 groups administrators
Unlock Time	1-1.5seconds
Working Temperature	-20~45 degree
Available Mortise	Support 60#Single latch, 6050/5572/4585/6085/7085 mortise
Unlock Way	Fingerprint, IC Card, password,APP,manual key
Suggest usage	Wooden door, Aluminum door, Sliding door

TX-A270NF
Fingerprint Smart Lock



Parameter

Model	TX-A270NF
Dimension	263x69x22.5mm
Material	Aluminum Alloy,ABS, Tempered glass
Color	Black Nickel/Satin Nickel
Door Thickness	35-60mm
Software Optional	Tuya APP Wifi
Power Supply	DC6V:4pcs AA alkaline batteries
Life time	300,000 times
User Capacity	Fingerprint+Card+Password: 300 groups, 9 administrators
Unlock Time	1-1.5seconds
Working Temperature	-20~50 degree
Available Mortise	Support single latch, 6050/5572/5070/4585/6085/KS mortise
Unlock Way	IC card,password,fingerprint,APP,manual key
Suggest usage	Wooden door, Aluminum door, Sliding door

TX-A290
Fingerprint Smart Lock



Parameter

Model	TX-A290
Dimension	178x75x20.5mm
Material	Aluminum Alloy,ABS,Arcylic
Product Color	Black/Satin Nickel
Door Thickness	35-55mm
Software Optional	Tuya APP/ TLock APP
Power Supply	DC6V:4pcs AA alkaline batteries
Life time	300,000 times
User Capacity	Card+Password+Fingerprint:300 , 9 groups administrators
Unlock Time	1-1.5seconds
Working Temperature	-20~45 degree
Available Mortise	Support 60#Single latch, 6050/5572/4585/6085/7085 mortise
Unlock Way	Fingerprint,IC Card,password,APP,wristban,mechanical key
Suggest usage	Wooden door, Aluminum door, Sliding door

TX-E902F

Fingerprint Smart Lock



Parameter

Model	TX-E902F
Dimension	360x70x20mm
Material	Aluminum Alloy, ABS, Arcylic
Color	Black Nickel/Silver
Door Thickness	35-55mm
Software Optional	Tuya APP/ TTLock APP
Power Supply	DC6V:4pcs AA alkaline batteries
Life time	300,000 times
User Capacity	Card:200 groups/Password:150 groups/Fingerprint:100 groups
Unlock Time	1-1.5seconds
Working Temperature	-20~45 degree
Available Mortise	6068 mortise
Unlock Way	APP/ Fingerprint/ IC Card/ Password/ Key
Suggest usage	Wooden door, Aluminum door, Sliding door

TX-E908

Fingerprint Smart Lock



Parameter

Model	TX-E908
Dimension	373x78x23mm
Material	Aluminum alloy,ABS, Tempered glass
Color	Black Nickel/Satin Nickel
Door Thickness	35-64mm
Software Optional	Tuya APP/TT Lock APP
Power Supply	DC6V:4pcs AA alkaline batteries
Life time	300,000 times
User Capacity	Fingerprint+Card+Password: 300 groups, 9 administrators
Unlock Time	1-1.5seconds
Working Temperature	-20~50 degree
Available Mortise	4585/5085/6085/7085/5572/6072 mortise as option
Unlock Way	IC card,Passcode,Fingerprint,APP,Manual Key
Suggest usage	Wooden door, Aluminum door, Sliding door

TX-E908NF

Fingerprint Smart Lock



Parameter

Model	TX-E908NF
Dimension	373x78x23mm
Material	Aluminum alloy,ABS, Tempered glass
Color	Black Nickel/Satin Nickel
Door Thickness	35-64mm
Software Optional	Tuya APP/ TTLock APP
Power Supply	DC6V:4pcs AA alkaline batteries
Life time	300,000 times
User Capacity	Card+Password+Fingerprint:300 , 9 groups administrators
Unlock Time	1-1.5seconds
Working Temperature	-20~45 degree
Available Mortise	60/68mortise, 4585/6085/7085/5572/6072 mortise as option
Unlock Way	Fingerprint,IC Card,password,APP,wristban,mechanical key
Suggest usage	Wooden door, Aluminum door, Sliding door

TX-H168

Fingerprint Handle Door Lock



Parameter

Model	TX-H168
Dimension	147x71x71mm
Material	Aluminum Alloy,Zinc alloy,ABS,Arcylic
Color	Black/Satin Nickel
Door Thickness	35-55mm
Software Optional	Tuya APP/ TTLock APP
Power Supply	DC6V:4pcs AAA alkaline batteries
Life time	300,000 times
User Capacity	Password:150 groups/Fingerprint: 100 groups, one admin
Unlock Time	1-1.5seconds
Working Temperature	-20~45 degree
Available Mortise	Support 60#Single latch, 6050/5572/4585/6085/7085 mortise
Unlock Way	Fingerprint,password,APP>manual key
Application	Apartment, Home, Office, Airbnb

TX-K710

European Smart Door Lock



Parameter

Model	TX-K710
Dimension	283.5x53.5x22.5mm
Material	Stainless Steel 304,ABS
Color	Black/Satin Nickel
Door Thickness	35-64mm
Software Optional	Tuya APP/TT Lock APP
Power Supply	DC6V:4pcs AA alkaline batteries
Life time	300,000 times
User Capacity	Fingerprint+Card+Password: 300 groups, 9 administrators
Unlock Time	1-1.5seconds
Working Temperature	-20~50 degree
Available Mortise	Support 6070Single latch,AU mortise,5050/4585/5085/6085mortise
Unlock Way	IC card,Passcode,Fingerprint,APP,Manual Key
Suggest usage	Wooden door, Aluminum door, Sliding door

TX-K3

Smart Key Box



Parameter

Model	TX-K3
Dimension	165x72x50mm
Material	Zinc Alloy, Stainless Steel
Password Length	6 digits,support16-digits
Bluetooth Distance	Within 10 meters
Software Optional	Tuya APP/ TTLock APP
Power Supply	4x AAA Alkaline Batteries
Fingerprint Capacity	200 groups
Passcode Capacity	200 groups
Unlock Time	1-1.5seconds
Working Temperature	-20~45 degree
Installation	Wall mount/Shackle
Unlock Way	APP+Fingerprint+Passcode+Card
Suitable for Doors	All kinds of doors and locks

TX-F2

Fingerprint smart lock



Parameter :

Model	TX-F2
Material	Zinc alloy panel/handle
Color	Black /Silver
Door Thickness	38-55(mm)
Communication	Tuya Wi-Fi /TT Lock Bluetooth
Battery Life	300,000 times life test
Power Supply	4pcs AAA alkaline battery
Lock Dimension	36x345x57mm
Working Temperature	-20~45 degree
Working Humidity	10%~95%
Available Mortise	3585;2885 mortise
Unlock Way	Card, Password, Fingerprint, APP, Key

TX-F3

Fingerprint smart lock



Parameter :

Model	TX-F3
Material	Zinc alloy panel/handle
Color	Black /Silver
Door Thickness	38-55(mm)
Communication	Tuya Wi-Fi /TT Lock Bluetooth
Battery Life	300,000 times life test
Power Supply	4pcs AAA alkaline battery
Lock Dimension	36x345x57mm
Working Temperature	-20~45 degree
Working Humidity	10%~95%
Available Mortise	3585;2885 mortise
Unlock Way	Card, Password, Fingerprint, APP, Key

TX-F5

Fingerprint smart lock



Parameter :

Model	TX-F5
Material	Aluminum alloy panel/handle
Color	Black /Silver
Door Thickness	38-55(mm)
Communication	Tuya Wi-Fi /TT Lock Bluetooth
Battery Life	300,000 times life test
Power Supply	4pcs AA alkaline battery
Lock Dimension	36x330x64mm
Working Temperature	-20~45 degree
Working Humidity	10%~95%
Available Mortise	3585;2885 mortise
Unlock Way	Card, Password, Fingerprint, APP, Key

TX-F5 Pro

Fingerprint smart lock



Parameter :

Model	TX-F5 Pro
Material	Aluminum alloy panel/handle
Color	Black /Silver
Door Thickness	38-55(mm)
Communication	Tuya Wi-Fi /TT Lock Bluetooth
Battery Life	300,000 times life test
Power Supply	4pcs AA alkaline battery
Lock Dimension	36x330x64mm
Working Temperature	-20~45 degree
Working Humidity	10%~95%
Available Mortise	3585mortise
Unlock Way	Card, Password, Fingerprint, APP, Key

TX-Z1

Fingerprint smart lock



Parameter :

Model	TX-Z1
Material	CNC solid carved material
Color	Black /Silver
Door Thickness	38-55(mm)
Communication	Tuya Wi-Fi
Battery Life	300,000 times life test
Power Supply	lithium battery of 7.4V, 3200MAH
Lock Dimension	38x420x26mm
Working Temperature	-20~45 degree
Working Humidity	10%~95%
Available Mortise	3585 mortise
Unlock Way	Card, Password, Fingerprint, APP, Key

TX-Z1 pro

Fingerprint smart lock



Parameter :

Model	TX-Z1 pro
Material	CNC solid carved material
Color	Black /Silver
Door Thickness	38-55(mm)
Communication	Tuya Wi-Fi/TT Lock Bluetooth
Battery Life	300,000 times life test
Power Supply	lithium battery of 7.4V, 3200MAH
Lock Dimension	38x420x26mm
Working Temperature	-20~45 degree
Working Humidity	10%~95%
Available Mortise	3585 mortise
Unlock Way	Card, Password, Fingerprint, APP, Key

TX-D1 Ultra

Fingerprint smart lock



Parameter :

Model	TX-D1 Ultra
Material	CNC solid carved material
Color	Black
Door Thickness	38-55(mm)
Communication	Tuya Wi-Fi
Battery Life	300,000 times life test
Power Supply	lithium battery of 7.4V, 4200MAH
Lock Dimension	75x420x58mm
Working Temperature	-20~45 degree
Working Humidity	10%~95%
Available Mortise	5572/6072 mortise
Unlock Way	Face,Palm print,Card, Password, Fingerprint, APP, Key

TX-D1 Ultra

Fingerprint smart lock



Parameter :

Model	TX-D1 Ultra
Material	CNC solid carved material
Color	Black
Door Thickness	38-55(mm)
Communication	TT Lock
Battery Life	300,000 times life test
Power Supply	lithium battery of 7.4V, 4200MAH
Lock Dimension	75x420x58mm
Working Temperature	-20~45 degree
Working Humidity	10%~95%
Available Mortise	5572/6072 mortise
Unlock Way	Face,Palm print,Card, Password, Fingerprint, APP, Key

TX-G1

Fingerprint smart lock



Parameter :

Model	TX-G1
Material	Aluminum alloy panel/handle
Color	Black
Door Thickness	38-55(mm)
Communication	Tuya Wi-Fi/TT Lock Bluetooth
Battery Life	300,000 times life test
Power Supply	4pcs AA alkaline battery
Lock Dimension	65x280x21mm
Working Temperature	-20~45 degree
Working Humidity	10%~95%
Available Mortise	5050 mortise
Unlock Way	Card, Password, Fingerprint, APP, Key

TX-G1 Pro

Fingerprint smart lock



Parameter :

Model	TX-G1 pro
Material	Aluminum alloy panel/handle
Color	Black
Door Thickness	38-55(mm)
Communication	Tuya Wi-Fi/TT Lock Bluetooth
Battery Life	300,000 times life test
Power Supply	4pcs AA alkaline battery
Lock Dimension	65x280x21mm
Working Temperature	-20~45 degree
Working Humidity	10%~95%
Available Mortise	5050 mortise
Unlock Way	Card, Password, Fingerprint, APP, Key

TX-T1

Smart Ddeadbolt Lock



Parameter :

Model	TX-T1
Material	Zinc alloy panel
Color	Black /Silver
Door Thickness	38-55(mm)
Communication	Tuya Wi-Fi/TT Lock Bluetooth
Battery Life	300,000 times life test
Power Supply	4pcs AA alkaline battery
Lock Dimension	Front:60x140x16mm;Black:68x155x28mm
Working Temperature	-20~45 degree
Working Humidity	10%~95%
Available Mortise	60-70mm Single latch
Unlock Way	Card, Password, Fingerprint, APP, Key

TX-T1 Pro

Smart Ddeadbolt Lock



Parameter :

Model	TX-T1 PRO
Material	Zinc alloy panel
Color	Black /Silver
Door Thickness	38-55(mm)
Communication	Tuya Wi-Fi/TT Lock Bluetooth
Battery Life	300,000 times life test
Power Supply	4pcs AA alkaline battery
Lock Dimension	Front:70x158x20mm;Black:68x155x28mm
Working Temperature	-20~45 degree
Working Humidity	10%~95%
Available Mortise	60-70mm Single latch
Unlock Way	Card, Password, Fingerprint, APP, Key

TX-B2

Fingerprint smart lock



Parameter :

Model	TX-B2
Material	Aluminum alloy panel/handle
Color	Black
Door Thickness	38-55(mm)
Communication	Tuya Wi-Fi
Battery Life	300,000 times life test
Power Supply	4pcs AA alkaline battery
Lock Dimension	65x255x21mm
Working Temperature	-20~45 degree
Working Humidity	10%~95%
Available Mortise	KS Mortise/5050/5072/5572/6072 mortise
Unlock Way	Card, Password, Fingerprint, APP, Key

TX-K1

Fingerprint smart lock



Parameter :

Model	TX-K1
Material	Aluminum alloy panel/handle
Color	Black /Silver
Door Thickness	38-55(mm)
Communication	Tuya Wi-Fi
Battery Life	300,000 times life test
Power Supply	Alkaline battery
Lock Dimension	75x370x24mm
Working Temperature	-20~45 degree
Working Humidity	10%~95%
Available Mortise	6068 mortise
Unlock Way	Card, Password, Fingerprint, APP, Key

TX-V1

Smart Ddeadbolt Lock



Parameter :

Model	TX-V1
Material	Zinc alloy panel
Color	Black
Door Thickness	38-55(mm)
Communication	Tuya Wi-Fi
Battery Life	300,000 times life test
Power Supply	4pcs AA alkaline battery
Lock Dimension	190x73x66mm
Working Temperature	-20~45 degree
Working Humidity	10%~95%
Available Mortise	60-70mm Single latch
Unlock Way	Card, Password, Fingerprint, APP, Key

TX-FLL2

Fingerprint smart lock



Parameter :

Model	TX-FLL2
Material	Aluminum alloy panel/handle
Color	Black/Silver/Red bronze
Door Thickness	38-55(mm)
Communication	Tuya Wi-Fi/TT Lock Bluetooth
Battery Life	300,000 times life test
Power Supply	4pcs AA alkaline battery
Lock Dimension	60x250x21mm
Working Temperature	-20~45 degree
Working Humidity	10%~95%
Available Mortise	KS Mortise/5050/5072/6072/4585 mortise
Unlock Way	Card, Password, Fingerprint, APP, Key

TX-FLL5

Fingerprint smart lock



Parameter :

Model	TX-FLL5
Material	Aluminum alloy panel/handle
Color	Black/Silver/Red bronze
Door Thickness	38-55(mm)
Communication	Tuya Wi-Fi/TT Lock Bluetooth
Battery Life	300,000 times life test
Power Supply	4pcs AA alkaline battery
Lock Dimension	65x255x21mm
Working Temperature	-20~45 degree
Working Humidity	10%~95%
Available Mortise	60/85,55/72 mortise or single latch
Unlock Way	Card, Password, Fingerprint, APP, Key

TX-FLL7

Fingerprint smart lock



Parameter :

Model	TX-FLL7
Material	Aluminum alloy panel/handle
Color	Black/Silver/Red bronze
Door Thickness	38-55(mm)
Communication	Tuya Wi-Fi/TT Lock Bluetooth
Battery Life	300,000 times life test
Power Supply	4pcs AAA alkaline battery
Lock Dimension	65x255x21mm
Working Temperature	-20~45 degree
Working Humidity	10%~95%
Available Mortise	60/85,55/72 mortise or single latch
Unlock Way	Card, Password, Fingerprint, APP, Key

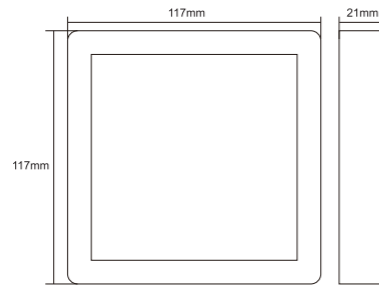
MA door access control keypad is of single door metal keypad, which is produced according to customer's requirements. Comparing with the common access control keypads, it is one of the most leading single door access control keypads, it not only has the function of the controller but also built in card reader, which is more convenient for using and installation. Unique metal shell design, skillful operation of the keyboard, built-in high-end microprocessors, strong anti-interference ability, mak our product high safety and reliability. Waterproof level of IP68,helps to prove the installation in outdoor harsh environments, and provides powerful security for 2000 users. With function of low power consumption, luminous keyboard, independent password, wiegand input, output short circuit protection, door button , the interface for doorbell and so on, it is convenient to use,and can be widely apply to the places : home,office,residence and other public places.

TX-AC01/02

Single Door Metal Access Control



Dimension



Parameter

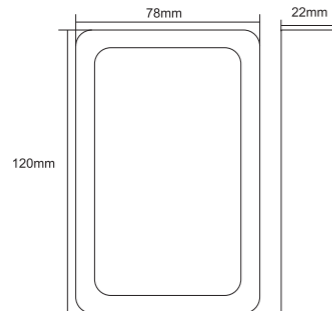
Model	TX-AC01	TX-AC02
Card type	MF Card	EM Card
Working frequency	13.56MHz	125KHz
Reading range	3-5cm	5-15cm
Card capacity	800 Cards	
Operation Mode	Card/Password/Card+Password	
Input voltage	DC12V ± 10%	
Working current	30mA	
Waterproof grade	No	
Dimensions	117*117*21mm	

TX-AC03-E/04-E

Single Door Touch Screen Access Control



Dimension



Parameter

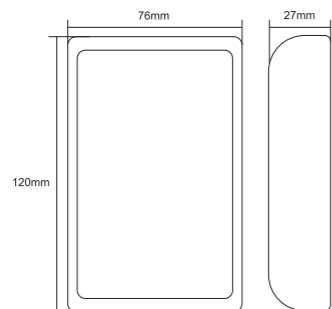
Model	TX-AC03-E	TX-AC04-E
Card type	MF Card	EM Card
Working frequency	13.56MHz	125KHz
Reading range	3-5cm	5-15cm
Card capacity	1000 Cards	
Operation Mode	Card/Password/Card+Password	
Input voltage	DC12V ± 10%	
Working current	30mA	
Waterproof grade	No	
Dimensions	120*78*22mm	

TX-AC08E/M

Access Control Keypad(IC/ID)



Dimension



Parameter

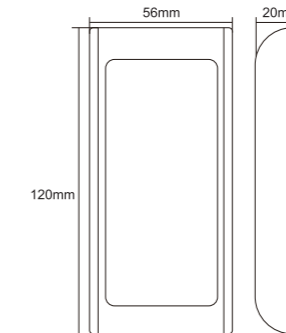
Model	TX-AC08-M	TX-AC08-E
Card type	MF Card	EM Card
Working frequency	13.56MHz	125KHz
Reading range	3-5cm	5-8cm
Card capacity	2000 user	
Operation Mode	Card/Password/Card+Password	
Input voltage	DC12V ±10%	
Working current	130mA	
Waterproof grade	IP55	
Dimensions	120*76*27mm	

TX-MA10-E/MA11-M

Single Door Metal Access Control



Dimension



Parameter

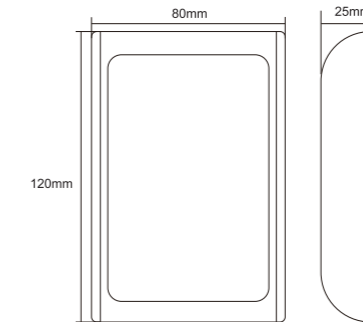
Model	TX-MA10-E	TX-MA11-M
Card type	EM Card	MF Card
Working frequency	125KHz	13.56MHz
Reading range	5-8cm	3-5cm
Card capacity	2000 Cards	
Operation Mode	Card/Password/Card+Password	
Input voltage	DC12V ± 10%	
Working current	30mA	
Waterproof grade	IP68	
Dimensions	120*56*20mm	

TX-MA20-E/MA21-M

Waterproof Metal Access control



Dimension



Parameter

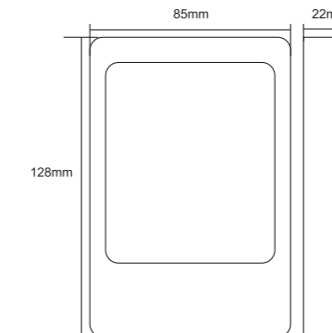
Model	TX-MA20-E	TX-MA21-M
Card type	EM Card	MF Card
Working frequency	125KHz	13.56MHz
Reading range	5-15cm	3-5cm
Card capacity	2000 Cards	
Operation Mode	Card/Password/Card+Password	
Input voltage	DC12V ± 10%	
Working current	30mA	
Waterproof grade	IP68	
Dimensions	120*80*25mm	

TX-MA30-E/MA31-M

Waterproof Touch Screen Metal Access control



Dimension



Parameter

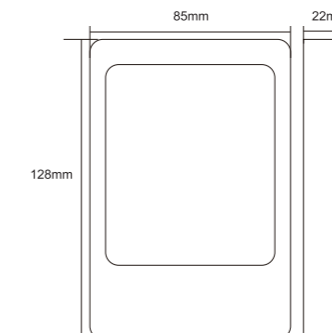
Model	TX-MA30-E	TX-MA31-M
Card type	EM Card	MF Card
Working frequency	125KHz	13.56MHz
Reading range	5-15cm	3-5cm
Card capacity	1000 Cards	
Operation Mode	Card	
Input voltage	DC12V ± 10%	
Working current	50mA	
Waterproof grade	IP66	
Dimensions	128*85*22mm	

TX-MA50-E/MA51-M

Waterproof Touch Screen Metal Access control



Dimension



Parameter

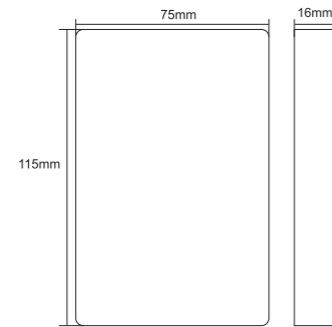
Model	TX-MA50-E	TX-MA51-M
Card type	EM Card	MF Card
Working frequency	125KHz	13.56MHz
Reading range	5-15cm	3-5cm
Card capacity	1000 Cards	
Operation Mode	Card	
Input voltage	DC12V ± 10%	
Working current	50mA	
Waterproof grade	IP66	
Dimensions	128*85*22mm	

TX-8001E/M

Touch Screen Standalone Access Controller



Dimension

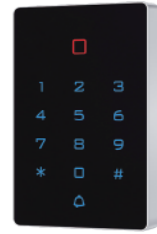


Parameter

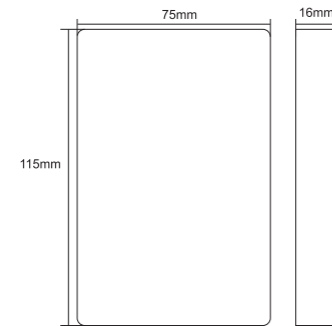
Model	TX-8001-E	TX-8001-M
Card type	EM Card	MF Card
Working frequency	125KHz	13.56MHz
Reading range	2-5cm	2-5cm
Card capacity	2000 users	
Operation Mode	Card/Code	
Input voltage	DC12V ± 10%	
Working current	300mA	
Waterproof grade	IP68	
Dimensions	115*75*16mm	

TX-8002E/M

Touch Screen Standalone Access Controller



Dimension



Parameter

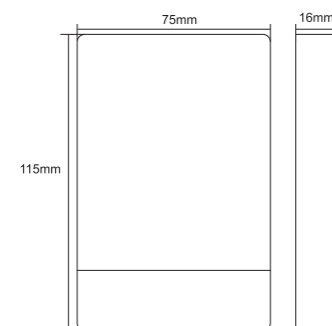
Model	TX-8002-E	TX-8002-M
Card type	EM Card	MF Card
Working frequency	125KHz	13.56MHz
Reading range	2-5cm	2-5cm
Card capacity	2000 users	
Operation Mode	Card/Code	
Input voltage	DC12V ± 10%	
Working current	300mA	
Waterproof grade	IP68	
Dimensions	115*75*16mm	

TX-8004E/M

Metal Access Control Machine



Dimension



Parameter

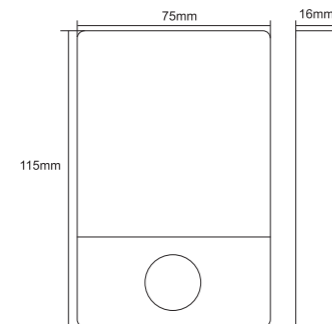
Model	TX-8004-E	TX-8004-M
Card type	ID Card	IC Card
Working frequency	125KHz	13.56MHz
Reading range	2-5cm	2-5cm
Card capacity	2000 users	
Operation Mode	Card/Password	
Input voltage	DC12V ± 10%	
Working current	30mA	
Waterproof grade	No	
Dimensions	115*75*16 mm	

TX-8005E/M

Fingerprint Access Control Keypad (ID/IC)



Dimension



Parameter

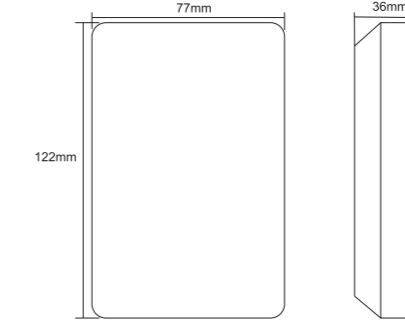
Model	TX-8005-E	TX-8005-M
Card type	ID Card	IC Card
Working frequency	125KHz	13.56MHz
Reading range	2-5cm	2-5cm
Card capacity	10000 users	
Operation Mode	Card/Password/Fingerprint	
Input voltage	DC12V ± 10%	
Working current	35mA	
Waterproof grade	IP68	
Dimensions	115*75*16mm	

TX-DE30

Integrated Access Controller & Time Attendance



Dimension



Parameter

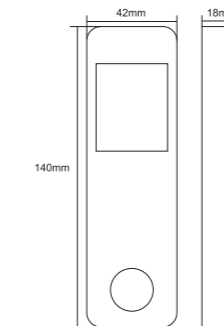
Model	TX-DE30
Application	Indoor
Wiegand	26-34
User capacity	20000 users
Recognition Mode	RFID \ Password
Working Temperature	-10 C ~45 C
Input voltage	DC12V ± 10%
Working current	500mA
Communication	TCP/IP
Dimensions	122*77*36mm

TX-FS50

Professional Waterproof Fingerprint Access Control



Dimension



Parameter

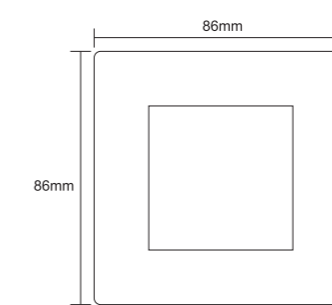
Model	TX-FS50
Application	Indoor, Outdoor
Fingerprint Capacity	3000
Card Capacity	3000
Pin Capacity	3000
Verification Method	Fingerprint, Card, Password
Input voltage	DC12V ± 10%
Verification Speed	≤1.0s
Communication	TCP/IP
Dimensions	140*42*18mm

TX-RD81/82

QR Code Reader



Dimension



Parameter

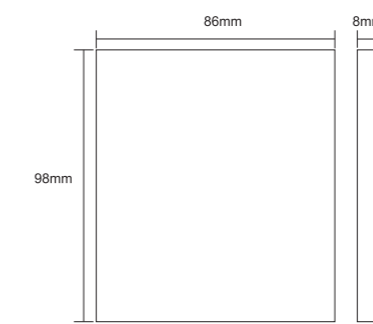
Model	TX-RD81	TX-RD82
Card type	EM Card	MF Card
Reading range	ID, 1-10CM./IC, 1-5CM	
Decoding Support	QR Code, One dimensional Code	
Interface Type	COM, TCP/IP	
Voltage Support	DC12V	
Working current	800mA	
Scan Speed	<200ms	
Material	Case: PC Identify panel: tempered glass	
Dimensions	86*86*42mm	

TX-RD12

QR Code Reader



Dimension



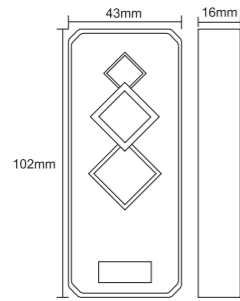
Parameter

Model	TX-RD12
Card type	ID/IC/NFC Card
Reading range	0~ 10cm(for QR code)
Decoding Support	QR Code, One dimensional Code
Interface Type	COM, TCP/IP
Voltage Support	DC12V
Working current	<60mA
Scan Speed	<200ms
Material	Tempered glass and Zinc alloy
Dimensions	98*86*8mm

TX-RD10/11
IC/ID Reader



Dimension



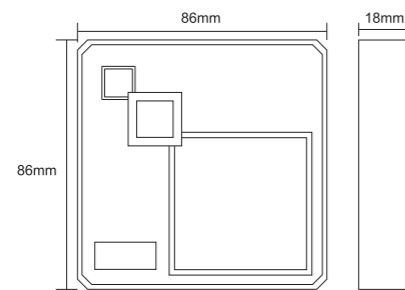
Parameter

Model	TX-RD10	TX-RD11
Card type	EM Card	Mifare Card
Sensing Distance	3-15cm	3-5cm
Working Frequency	125 KHz	13.56MHz
Working Current	45mA	
Working Voltage	9-16V DC	
Output Format	Wiegand26/34	
Material	ABS	
Dimensions	102*43*16mm	

TX-RD20/21
IC/ID Reader



Dimension



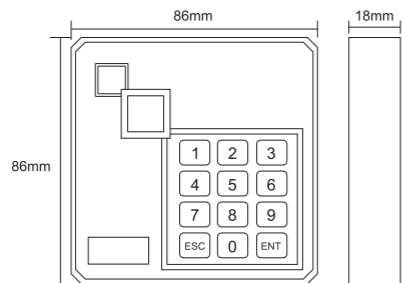
Parameter

Model	TX-RD20	TX-RD21
Card type	EM Card	Mifare Card
Sensing Distance	3-15cm	3-5cm
Working Frequency	125 KHz	13.56MHz
Working Current	45mA	
Working Voltage	9-16V DC	
Output Format	Wiegand26/34	
Material	ABS	
Dimensions	86*86*18mm	

TX-RD30/31
IC/ID Reader



Dimension



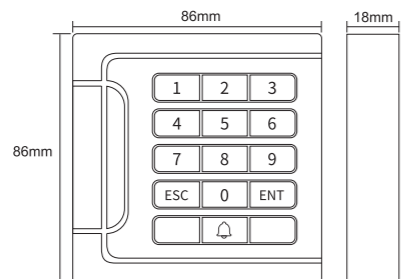
Parameter

Model	TX-RD30	TX-RD31
Card type	EM Card	Mifare Card
Sensing Distance	3-15cm	3-5cm
Working Frequency	125 KHz	13.56MHz
Working Current	45mA	
Working Voltage	9-16V DC	
Output Format	Wiegand26/34	
Material	ABS	
Dimensions	86*86*18mm	

TX-RD40/41
IC/ID Reader



Dimension



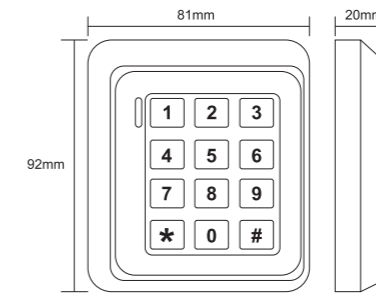
Parameter

Model	TX-RD40	TX-RD41
Card type	EM Card	Mifare Card
Sensing Distance	3-15cm	3-5cm
Working Frequency	125 KHz	13.56MHz
Working Current	45mA	
Working Voltage	9-16V DC	
Output Format	Wiegand26/34	
Material	ABS	
Dimensions	86*86*18mm	

TX-RD50/51
IC/ID Reader



Dimension



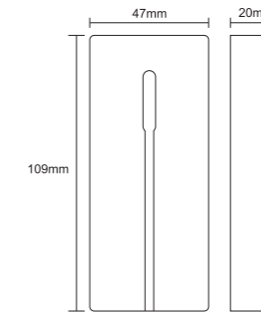
Parameter

Model	TX-RD50	TX-RD51
Card type	EM Card	Mifare Card
Sensing Distance	1-10cm	1-5cm
Working Frequency	125 KHz	13.56MHz
Working Current	45mA	
Working Voltage	9-16V DC	
Waterproof grade	IP68	
Material	ABS	
Dimensions	92*81*20mm	

TX-RD60/61
IC/ID Reader



Dimension



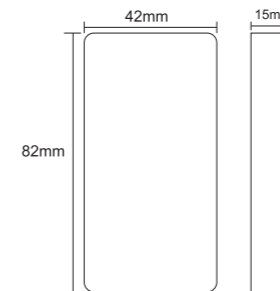
Parameter

Model	TX-RD60	TX-RD61
Card type	EM Card	Mifare Card
Sensing Distance	1-10cm	1-5cm
Working Frequency	125 KHz	13.56MHz
Working Current	45mA	
Working Voltage	9-16V DC	
Waterproof grade	IP68	
Material	ABS	
Dimensions	109*47*20mm	

TX-RD70/71
IC/ID Reader



Dimension



Parameter

Model	TX-RD70	TX-RD71
Card type	EM Card	Mifare Card
Sensing Distance	1-10cm	2-5cm
Working Frequency	125 KHz	13.56MHz
Working Current	35mA	
Working Voltage	DC12V	
Waterproof grade	IP68	
Material	ABS	
Dimensions	82*42*15mm	

SM06 is a High Performance UHF integrated reader for long range operation. The reader operates in frequency range of 920MHz~925MHz design to read ISO18000 - 6C and ISO18000 - 6B protocol ID Tag. The reader can be widely applied in many RFID application systems such as logistics, access control, and anti-counterfeit and industrial production process control system.

SM15 is a High Performance UHF integrated reader for long range operation. Compact Reader with integrated 12dBi linear polarized UHF Far Field antenna, Based on proprietary efficient digital signal processing algorithm, the reader is capable of up to 15m Read Range and 6m Write Range.

TX-SM06
UHF Reader



Parameter

Model	TX-SM06
Dimensions	227*227*60mm
Read range	>6m
System Parameter	ARM7+UHF model
Frequency	920~925MHz
Protocol	ISO 18000-6C
Prompt	Beep or LED light flash
Power	+12V
Power consumption	<3W
Output power	0-30dBm(Adjustable)
Communication port	RS232/RS485/Wiegand26/Wiegand34/RJ45/WIFI
Waterproof grade	IP65
Operating environment	-20°C~+70°C(Customized)
Working humidity	20%~95%(Without condensation)
Weight	1.5kg

TX-SM15
UHF Reader



Parameter

Model	TX-SM15
Dimensions	445*445*74mm
Read range	>15m
System Parameter	ARM7+UHF model
Frequency	920~925MHz
Protocol	ISO 18000-6C
Prompt	Beep or LED light flash
Power	+12V
Power consumption	<3W
Output power	0-30dBm(Adjustable)
Communication port	RS232/RS485/Wiegand26/Wiegand34/RJ45/WIFI
Waterproof grade	IP65
Operating environment	-20°C~+70°C(Customized)
Working humidity	20%~95%(Without condensation)
Weight	5kg

TX-RD218
Long-range RFID Reader



Parameter

Model	TX-RD218
System Parameters	ARM7 modules
Working Frequency	National standard (920~925MHz)Customized
Identification Distance	>15m
Group read performance	>500 labels
Label Protocol	Support ISO18000-6C (EPC GEN2) protocol electronic tags
Way of working	Automatic mode, trigger mode, interactive mode, etc
Rf Power	0-33dBm (power software adjustable)
Antenna Parameters	8dBi Circularly Polarized Antenna (built-in)
Operating Voltage	+12V
Recognition Tips	Beep or LED flash
Power Consumption	<5W
Operating Temperature	-20 C ~ +70 C (Beyond the scope need to customize)
Working Humidity	20% ~ 95% (no condensation)
External Dimensions	180x180x60mm
Net Weight	550G
Gross Weight	1100G

TX-RD220
Long-range RFID Reader



Parameter

Model	TX-RD220
System Parameters	ARM7 modules
Working Frequency	National standard (920~925MHz)Customized
Identification Distance	>20m
Group read performance	>200 labels
Label Protocol	Support ISO18000-6C (EPC GEN2) protocol electronic tags
Way of working	Automatic mode, trigger mode, interactive mode, etc
Rf Power	0-33dBm (power software adjustable)
Antenna Parameters	9dBi Circularly Polarized Antenna (built-in)
Operating Voltage	+12V
Recognition Tips	Beep or LED flash
Power Consumption	<12W
Operating Temperature	-20 C ~ +70 C (Beyond the scope need to customize)
Working Humidity	20% ~ 95% (no condensation)
External Dimensions	260x260x70mm
Net Weight	2400G
Gross Weight	3700G

TX-M2S

Metal Access Control



Parameter

Model	TX-M2S
Card Type	ID,IC,NFC
Material	Metal
User Capacity	6000
Working voltage	AC/DC12V~24V
Dimensions	125×80×23mm
Waterproof grade	IP67
Wiegand signal	WG26/34

TX-M6D

Metal Access Control



Parameter

Model	TX-M6D
Card Type	ID
Material	Metal
User Capacity	1000/6000
Working voltage	DC12V
Dimensions	130×58×24mm
Waterproof grade	IP67
Wiegand signal	WG26/34

TX-M8D

Metal Access Control

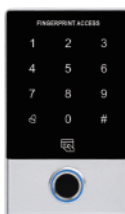


Parameter

Model	TX-M8D
Card Type	ID
Material	Metal
User Capacity	6000
Working voltage	DC12V
Dimensions	145×45×21mm
Waterproof grade	IP67
Wiegand signal	WG26/34

TX-FG1S

Metal Access Control

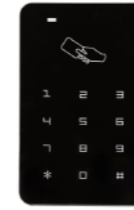


Parameter

Model	TX-FG1S
Card Type	ID,IC,NFC
Material	Metal
User Capacity	10000
Fingerprint Capacity	100/300/500
Working voltage	AC/DC12V~24V
Dimensions	124×74×20mm
Waterproof grade	IP67
Wiegand signal	WG26/34

TX-T6D

ABS Access Control



Parameter

Model	TX-T6D
Card Type	ID,IC
Material	ABS
User Capacity	4000
Working voltage	DC12V
Dimensions	117×75×20mm
Wiegand signal	WG26/34

TX-T7S

ABS Access Control



Parameter

Model	TX-T7S
Card Type	ID,IC,NFC
Material	ABS
User Capacity	10000
Working voltage	AC/DC12V~24V
Dimensions	140×45×17mm
Wiegand signal	WG26/34

TX-T12S

ABS Access Control

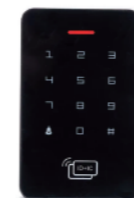


Parameter

Model	TX-T12S
Card Type	ID,IC
Material	ABS Plastic Case
User Capacity	1000
Working voltage	DC12V
Dimensions	120×78×22mm
Access Mode	Card Or Password

TX-A35

ABS Access Control



Parameter

Model	TX-A35
Card Type	ID,IC
Material	ABS Plastic Case
User Capacity	10000
Working voltage	12-24VDC
Dimensions	112×70×20mm
Access Mode	Card Or Password

TX-K21

Metal Access Control



Parameter

Model	TX-K21
Card Type	ID,IC,NFC
Material	Metal
User Capacity	10000
Working voltage	AC/DC12V~24V
Dimensions	150×45×22mm
Waterproof grade	IP68
Wiegand signal	WG26/34

TX-K23

Metal Access Control



Parameter

Model	TX-K23
Card Type	ID,IC,NFC
Material	Metal
User Capacity	10000
Fingerprint Capacity	100/300/500
Working voltage	AC/DC12V~24V
Dimensions	150×45×22mm
Waterproof grade	IP68
Wiegand signal	WG26/34

TX-K31

Metal Access Control



Parameter

Model	TX-K31
Card Type	ID,IC,NFC
Material	Metal
User Capacity	10000
Working voltage	AC/DC12V~24V
Dimensions	146×70×20mm
Waterproof grade	IP68
Wiegand signal	WG26/34

TX-K33

Metal Access Control

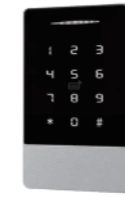


Parameter

Model	TX-K33
Card Type	ID,IC,NFC
Material	Metal
User Capacity	10000
Fingerprint Capacity	100/300/500
Working voltage	AC/DC12V~24V
Dimensions	146×70×20mm
Waterproof grade	IP68
Wiegand signal	WG26/34

TX-K2

Smart Access Controller

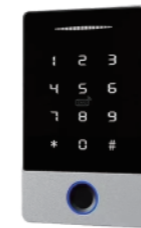


Parameter

Model	TX-K2
Stand-by current	≈15mA
Material	Aluminum frame
Card Capacity	1000
Working voltage	DC12V
Dimensions	79×125×18.5mm
Waterproof grade	IP66
Communication	Bluetooth5.0

TX-K2F

Smart Access Controller



Parameter

Model	TX-K2F
Stand-by current	≈15mA
Material	Aluminum frame
User Capacity	1000
Fingerprint Capacity	100
Working voltage	DC12V
Dimensions	79×125×18.5mm
Waterproof grade	IP66
Communication	Bluetooth5.0

TX-K5

Smart Access Controller



Parameter

Model	TX-K5
Face capacity	100
Material	Aluminum frame
Card Capacity	1000
Working voltage	DC12V
Dimensions	79×145×19mm
Waterproof grade	IP66
Communication	Bluetooth5.0

TX-K5F

Smart Access Controller



Parameter

Model	TX-K5F
Face capacity	100
Material	Aluminum frame
User Capacity	1000
Fingerprint Capacity	100
Working voltage	DC12V
Dimensions	79×145×19mm
Waterproof grade	IP66
Communication	Bluetooth5.0

TX-S1

Smart Cylinder Lock



Parameter

Model	TX-S1
Reader Dimension	42x42mm
Material	aluminium alloy+Pure brass+Stainless steel304
Color	Silver/Black
Door Thickness	35-45mm
Software Optional	Tuya APP/ TTLock APP
Power Supply	1 × CR123A(Alkaline)
Life time	200,000 times
Emergency Power	1× Micro Type-C charging port
Unlock Time	1-1.5seconds
Working Temperature	-20~45 degree
IP Class	IP5x(Dust and Splash Proof)
Unlock Way	App / Card / Fingerprint / Key
Suitable for	Any type of mechanical lock compatible with European profile cylinders

TX-S1K

Smart Cylinder Lock



Parameter

Model	TX-S1K
Reader Dimension	42x42mm
Material	Alluminium alloy+Pure brass+Stainless steel304
Color	Silver/Black
Door Thickness	35-45mm
Software Optional	Tuya APP/ TTLock APP
Power Supply	1 × CR123A(Alkaline)
Life time	200,000 times
Emergency Power	1× Micro Type-C charging port
Unlock Time	1-1.5seconds
Working Temperature	-20~45 degree
IP Class	IP5x(Dust and Splash Proof)
Unlock Way	App / Card / Password / Key
Suitable for	Any type of mechanical lock compatible with European profile cylinders

TX-V1

Smart Cylinder Lock



Parameter

Model	TX-V1
Material	Alluminium alloy+Pure brass+SUS304
Color	Silver/Black
Power supply	AAA alkaline battery *3 pieces
Installation	Intermediate;Tools required(Included)
Door thickness	38~50MM / with extra can fit 38~120MM
Emergency Power	1X Micro Type-C charging port
Product Dimension	Front knob dimension:42*58mm
Suitable for	Any locks with European cylinder
Backset	60 mm, 70 mm, 80 mm
Life time	300,000 times
Unlock way	APP+Fingerprint+Passcode+Card+Key

TX-R1

Smart Rim Lock



Parameter

Model	TX-R1
Material	Aluminium alloy
Color	Black
Power supply	4 AA batteries
Password length	4-8 digit password
Available Thickness	UTMOST 70MM
Available Door	Steel door/Woodern door
Unlock Direction	Universal for left/right
Product Dimension	Front:160*58*22mm ; Back:150.2*92*42.5mm
Unlock way	Fingerprint + Password + Card + Key+Tuya Wifi APP

TX-VD08

Smart Rim Lock



Parameter

Model	TX-VD08
Material	Acrylic mirror + Aluminum alloy
Voltage range	4.5~9V
Power supply	6V(4*AAA Batteries)
Low power alert	4.8V
Emergency Charging	Micro USB
Door thickness	38-60mm
User Capacity	300
Door Type	Wooden Door, Metal Door,Fire Proof Door
WiFi App	Tuya / Smart Life
Fingerprint Sensor	Semiconductor fingerprint head
Unlock way	Password, fingerprint, IC card, mechanical key

TX-VD08D

Smart Rim Lock



Parameter

Model	TX-VD08D
Material	Acrylic mirror + Aluminum alloy
Voltage range	4.5~9V
Power supply	4 alkaline dry batteries
Low power alert	4.8V
Emergency Charging	Micro USB
Door thickness	38-60mm
User Capacity	300
Door Type	Wooden Door, Metal Door,Fire Proof Door
Scanning time	<1.5 seconds
Fingerprint Sensor	Semiconductor fingerprint head
Unlock way	APP, password, fingerprint, IC card, key, remote control (optional)

TX-606A-TW

Fingerprint Intelligent Motor Lock



Parameter

Model	TX-606A-TW
Fingerprint capacity	≤ 100 pcs
Password capacity	≤ 100 pcs
Card capacity	≤ 100 pcs
Rejection rate	≤ 0.15%
Low battery alarm	4.9V
Unlocking mode	Fingerprint, Password, APP, Card,Key
Power	4 pcs AA battery
Material	Aluminium
Usb interface	Yes
Remote control	Yes(add Remote controller)
Dimensions	Panel: 168*56*33mm Lock body: 130*86*45mm
Weight	1.43kg

TX-606A-TW-D

Fingerprint Intelligent Motor Lock



Parameter

Model	TX-606A-TW-D
Fingerprint capacity	≤ 100 pcs
Password capacity	≤ 100 pcs
Card capacity	≤ 100 pcs
Rejection rate	≤ 0.15%
Low battery alarm	4.9V
Unlocking mode	Fingerprint, Password, APP, Card,Key
Power	4 pcs AA battery
Material	Aluminium Alloy
Usb interface	Yes
Remote control	Yes(add Remote controller)
Dimensions	Panel: 168*58*35mm Lock body: 130*98*45mm
Weight	1.43kg

TX-606AW-TW

Fingerprint Intelligent Motor Lock



Parameter

Model	TX-606AW-TW
Fingerprint capacity	≤ 100 pcs
Password capacity	≤ 100 pcs
Card capacity	≤ 100 pcs
Rejection rate	≤ 0.15%
Low battery alarm	4.8V
Unlocking mode	Fingerprint, Password, APP, Card,Key, Remote control (optional)
Power	4 pcs AA battery
Material	Aluminium
Remote control	Yes(add Remote controller)
Dimensions	Panel: 168*60*34mm Lock body: 130*98*45mm
Usb interface	Yes
Weight	1.43kg

TX-606AW-TW-D

Fingerprint Intelligent Motor Lock



Parameter

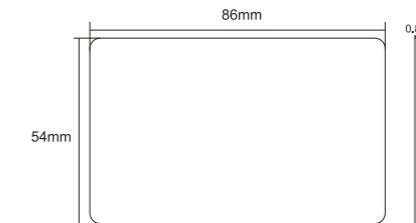
Model	TX-606AW-TW-D
Fingerprint capacity	≤ 100 pcs
Password capacity	≤ 100 pcs
Card capacity	≤ 100 pcs
Administrator	9 group
Low battery alarm	4.5±0.2V
Unlocking mode	Fingerprint, Password, APP, Card,Key, Remote control (optional)
Power	4 pcs AA battery
Material	Aluminium
Remote control	Yes(add Remote controller)
Dimensions	Panel: 168*60*34mm Lock body: 130*98*40mm
Usb interface	Yes
Weight	2kg

TX-EM01/MF01

Thin Card



Dimension



Parameter

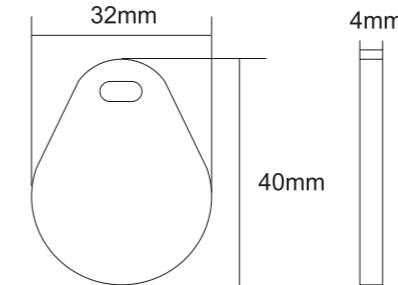
Model	TX-EM01	TX-MF01
Card type	EM Card	Mifare Card
Sensing Distance	5-15cm	2-5cm
Working Frequency	125 KHz	13.56MHz
Storage Capacity	0	1Kbyte
Material	PVC	
Applications	Access control, attendance, etc.	
Unit Weight	0.01KG	
Dimensions	86*54*0.8mm	

TX-EM02/MF02

Key Chain Card



Dimension



Parameter

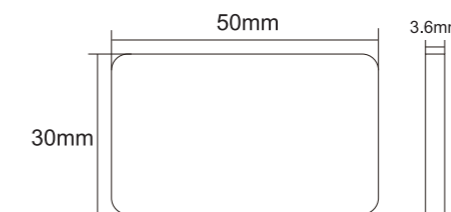
Model	TX-EM02	TX-MF02
Card type	EM Card	Mifare Card
Sensing Distance	5-15cm	2-5cm
Working Frequency	125 KHz	13.56MHz
Storage Capacity	0	1Kbyte
Material	ABS	
Applications	Access control, attendance, etc.	
Unit Weight	0.01KG	
Dimensions	40*32*4mm	

TX-EM03/MF03

Glue dropping card



Dimension



Parameter

Model	TX-EM03	TX-MF03
Card type	EM Card	Mifare Card
Sensing Distance	5-15cm	2-5cm
Working Frequency	125 KHz	13.56MHz
Storage Capacity	0	1Kbyte
Material	PVC + Resin	
Applications	Access control, attendance, etc.	
Unit Weight	0.05KG	
Dimensions	50*30*3.6mm	